

TYPE: CR-7037RG

LED Emergency Exit Sign accord with US STANDARD - Injection-molded, flame-retardant and high impact thermoplastic housing. This exit sign with design is great for placing on doorways, isles, restaurant, office building and warehouses.



CR-7037RG

Standard: Single side display and Double-sided display



SPECIFICATION	
TYPE	CR-7037RG
WORKING VOLTAGE	120V / 277V 50Hz/60Hz
EFFICACY	0.86
POWER CONSUMPTION	4 W
INPUT CURRENT	100mA
RECHARGE TIME	24 Hours
OUTPUT WATTAGE	1W
EMERGENCY DURATION	≥90 Mins
BATTERY	1.2V
FACTORY SETTING	Single-sided red display
ENVIRONMENT	DAMP
WORKING TEMPERATURE	0°C ~ 40°C
CERTIFICATION	UL
CABLE	Input Connect, No cable
WARRANTY	2 year limited

DIMENSION:

WATTAGE	CR-7037RG
NT. WEIGHT	1.77 lbs(N.W)
BOX DIM.	12.05" x 7.48" x 2.36"(1Pcs/CTN)
OUTER BOX	15.35" x 12.4" x 12.79"(10Pcs/CTN)

TYPE: CR-7037RG

ORDERING INFORMATION

EXAMPLE:

CR-7037RG

CR	7037	RG
CODE	CODE	FINISH
Company code	7037 Product Code	RG (Green / Red)

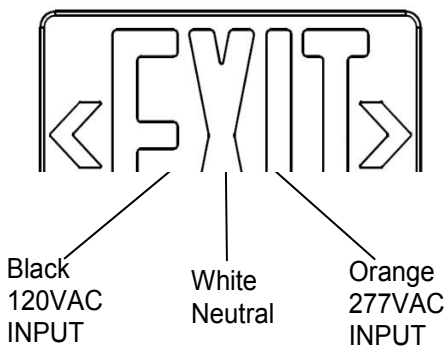
ACCESSORIES (Standard)



WIRING DIAGRAM:

CR-7037RG

Make the proper supply wire connections.
If using 120VAC, connect the black and White wires to the building utility.
If using 277VAC, connect the Orange and White wires to the building utility.



TYPE: CR-7037RG

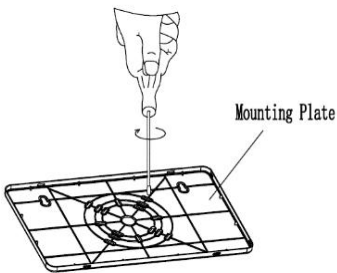
Mounting Instructions

NOTE: First turn off electricity.

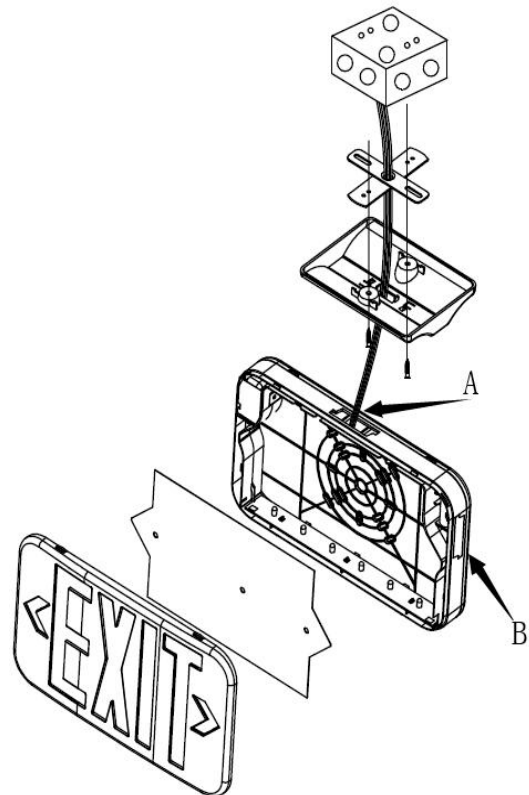
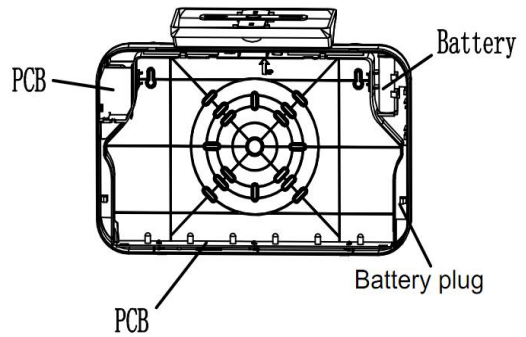
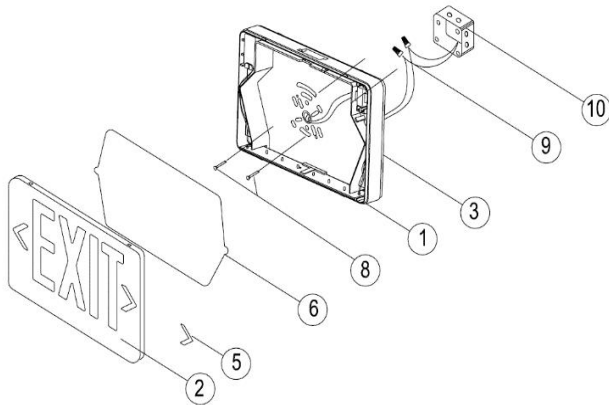
1. Remove mounting plate from fixture.



2. Knockout in back of mounting plate and push wires through the hole.



3. Securely attach mounting plate to J-box (not provided).



4. ELECTRICAL CONNECTIONS

Make the proper supply wire connections.

If using 120VAC, connect the black and White wires to the building utility.

If using 277VAC, connect the Orange and White wires to the building utility.

