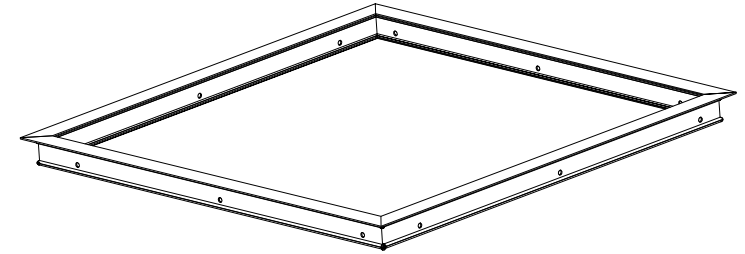
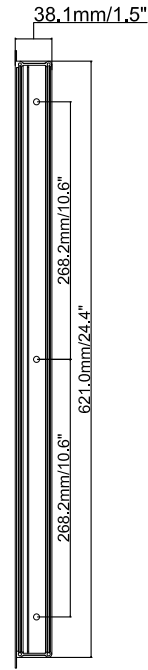
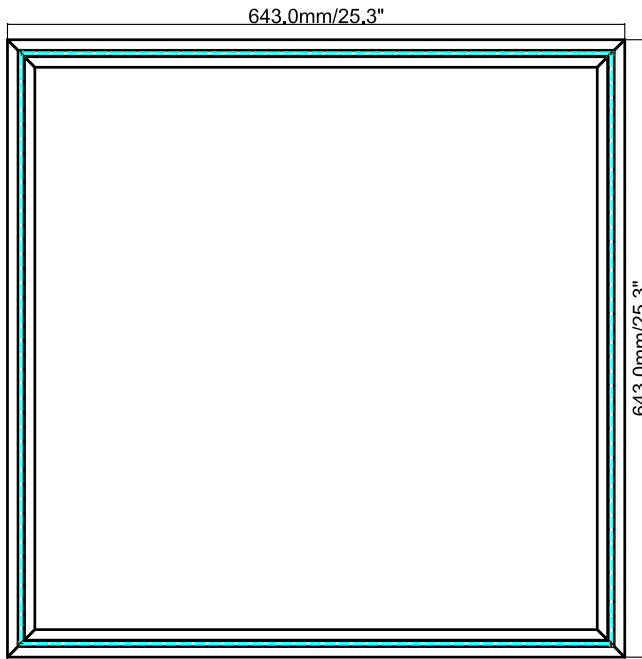
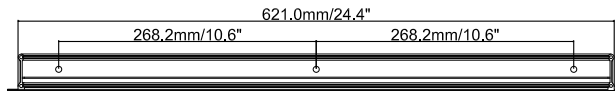
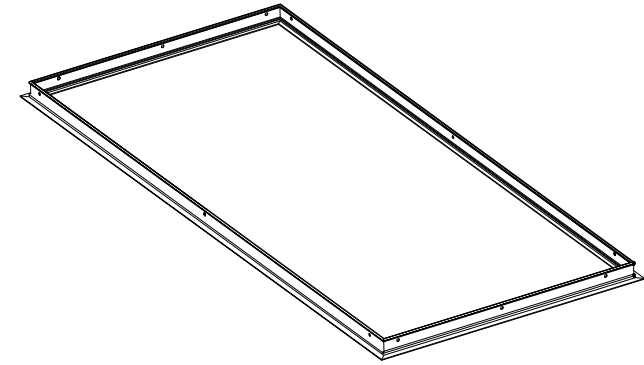
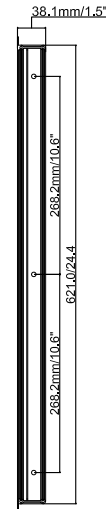
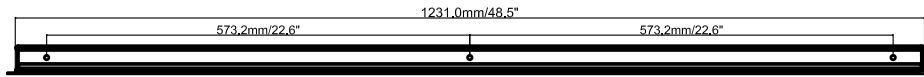


Unit: mm/inch



		edition	Modifier	Time of modification		Repair the interior		
Material No.	907.0311	Edition	A/0	Page	1/1	Tolerance requirements:(tolerance without special requirements)		Date
Material Name	SB-22LPZTRF-KIT-W	proportion		Angle		NO ± 0.2	mapping	
Specification Description		unit				. x ± 0.1	check	
Drawing Number		material quality				. xx ± 0.05	. xxx± 0.015	examine and verify

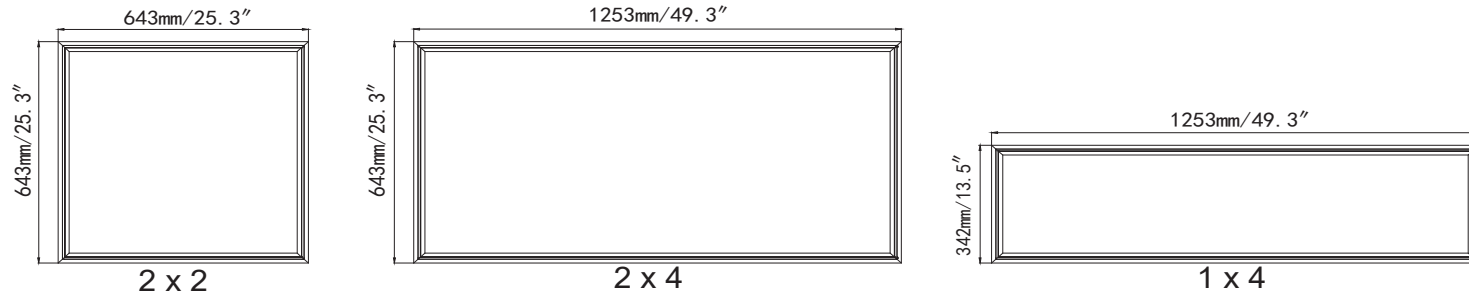
Unit: mm/inch



		edition	Modifier	Time of modification		Repair the interior		
Material No.	907.0312	Edition	A/0	Page	1/1	Tolerance requirements:(tolerance without special requirements)		Date
Material Name	SB-24LPZTRF-KIT-W	proportion		Angle		NO ± 0.2	mapping	
Specification Description		unit				. x ± 0.1	check	
Drawing Number		material quality				. xx ± 0.05	examine and verify	
						. xxx± 0.015		

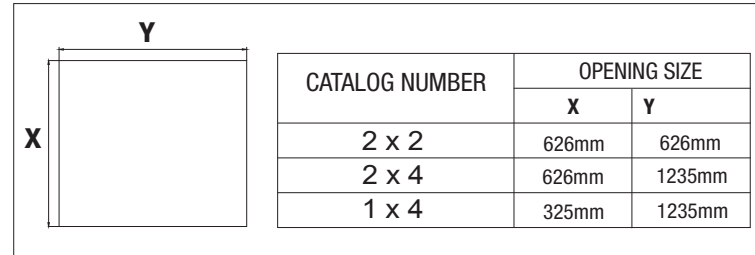
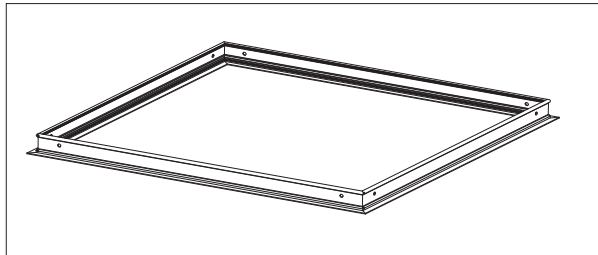
Installation Instruction

KIT'S DIMENSIONS

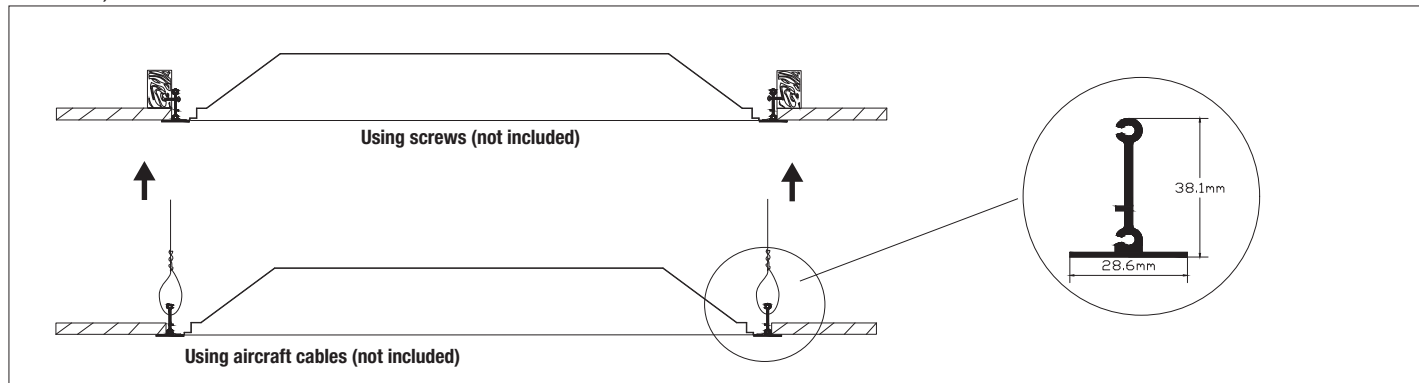


1. Assemble the mounting frame using mounting screws (included).

2. Cut out an opening according to the dimension table.



3. Choose the mounting method : Mounting using mounting screws (not included) or mounting using mounting screws (not included).



4. Place the kit in the ceiling opening and secure it with the screws.

5. The installation is completed.

