

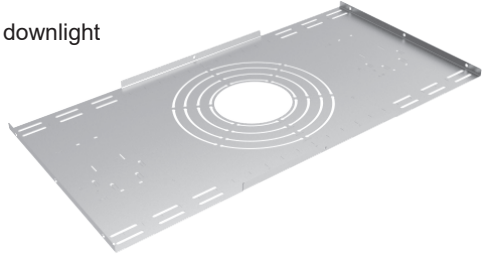
4/6/8/10 INCH New Construction Plate for Commercial Downlight Installation Instructions

DESCRIPTION

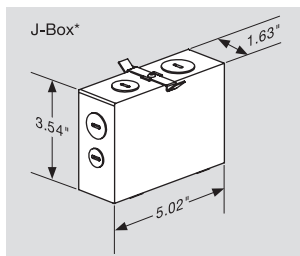
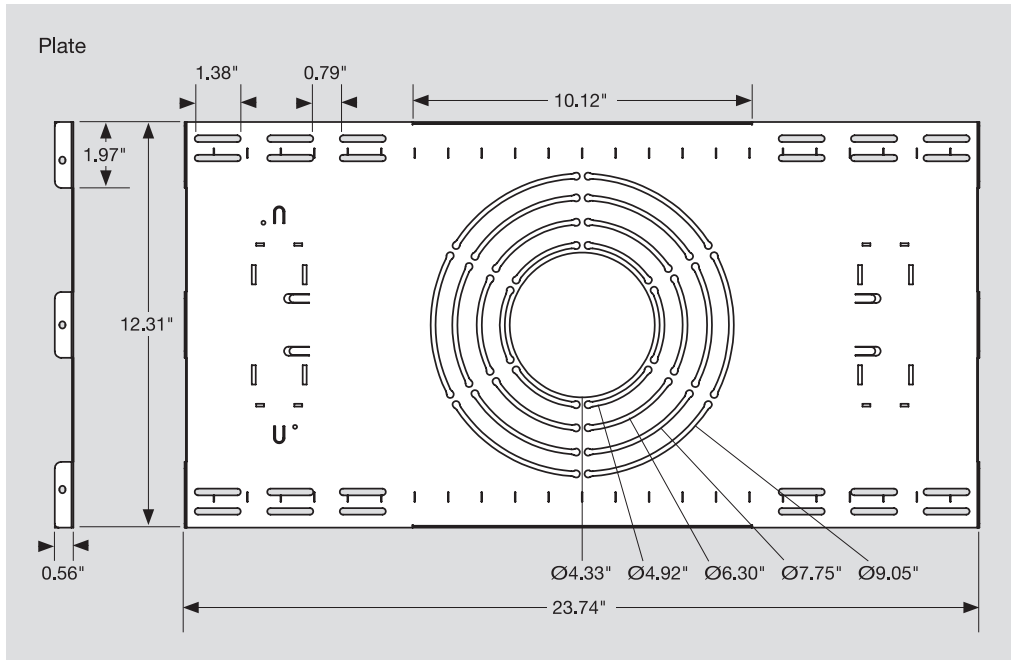
New construction plate for 4/6/8/10 inch Commercial downlight
Made from Galvanized Steel

APPLICATION

Works for both new construction joist and T-grid applications



PHYSICAL DIMENSIONS



4/6/8/10 INCH New Construction Plate for Commercial Downlight Installation Instructions

Installation of Plate With Ceiling Joists

1. Align new-construction plate with ceiling joists (Fig. 1).
2. Secure plate to joists with appropriate screws (not included)(Fig. 2).

Note: Plate comes out of the box ready to be installed onto joists that have 12" or 16" spacing. To fit plate onto joists that have 24" spacing, simply bend down endtabs and screw to joists.

Fig. 1

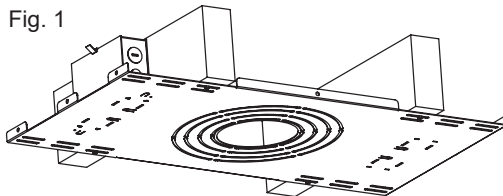
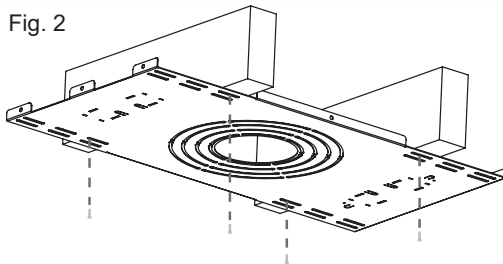


Fig. 2



Installation of Plate With T-Grid

1. Lay new-construction plate into T-grid (Fig. 3).
2. Secure plate to T-grid with appropriate screws (not included) (Fig. 4).

Fig. 3

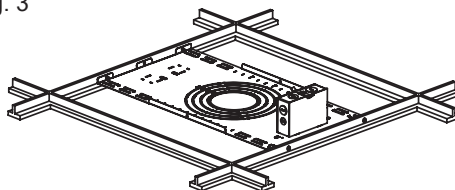


Fig. 4

