

Installation Instruction

WARNING

- To reduce the risk of death, personal injury or property damage from fire, electric shock, falling parts, cuts/abrasions, and other hazards read all warnings and instructions included with and on the fixture box and all fixture labels.
- Before installing, servicing, or performing routine maintenance upon this equipment, follow these general precautions.
- Commercial installation, service and maintenance of luminaires should be performed by a qualified licensed electrician.
- For the installation: If you are unsure about the installation or maintenance of the luminaires, consult a qualified licensed electrician and check your local electrical code.
- To prevent wiring damage or abrasion, do not expose wiring to edges of sheet metal or other sharp objects.
- Do not make or alter any open holes in an enclosure of wiring or electrical components during kit installation.

WARNING

- Turn off electrical power at fuse or circuit breaker box before wiring fixture to the power supply.
- Turn off the power when you perform any maintenance.
- Verify that supply voltage is correct by comparing it with the luminaire label information.
- All wiring connections should be capped with UL approved wire connectors.

CAUTION

- Avoid direct eye exposure to the light source while it is on.
- Account for small parts and destroy packing material, as these may be hazardous to children.
- Risk of burn. Disconnect power and allow fixture to cool before changing bulb or handing fixture.

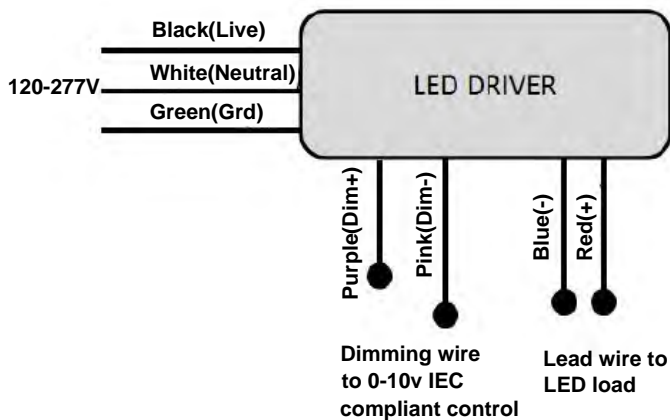
NOTICE: Green ground screw provided in proper location. Do not relocate.

NOTICE: Minimum 90° supply conductors.

NOTICE: Specifications and dimensions subject to change without notice.

NOTICE: Suitable for wet location.

General Wiring Diagram



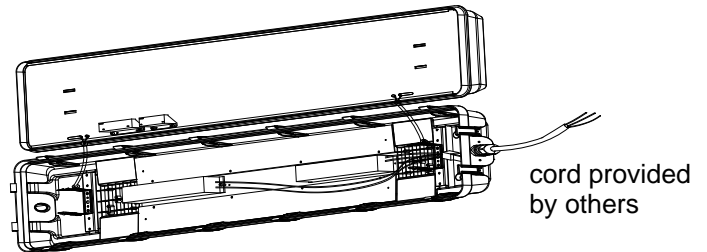
Installation Instruction

INSTRUCTIONS:

Always turn off the power supply from main circuit breaker first!

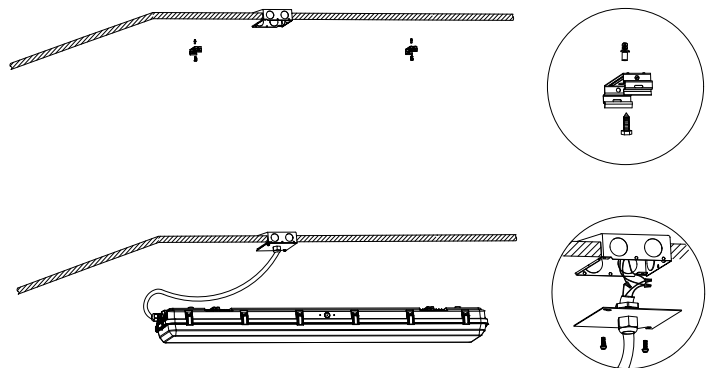
Before installation

1. Take out the fixture and installation kit from the packaging, inspect for any damages.
2. Remove lens and LED module board.
3. Pass the cord through the waterproof strain relief and fix the combination to the fixture through the reserved knockout.
4. Connect the cord to the input of the driver and reattach the LED module board and lens.



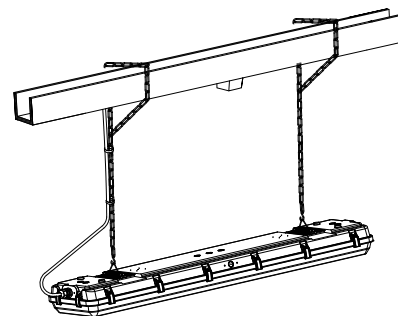
Surface Mounting

1. Locate drill holes for mounting brackets. Use hardware found in hardware kit. Mount bracket to the mounting surface.
2. Push housing into Surface Mounting Brackets. Ensure that the housing is secure to the brackets.
3. Use appropriate UL approved wire connectors as required by code to complete wiring with main power as shown in the figure. If outdoor surface is irregular, use caulk to seal any gaps around Housing.



Suspending Mounting

1. Secure Surface Mounting Brackets to Housing as shown and loop V-Hooks (included) on the brackets.
2. To suspend Housing, connect each V-Hook to two equal lengths of chain (not supplied) and/or appropriate hardware (by others) suitable for mounting surface.
3. Use appropriate UL approved wire connectors as required by code to complete wiring with main power

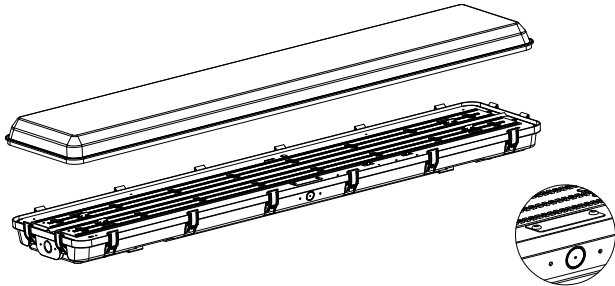


Installation Instruction

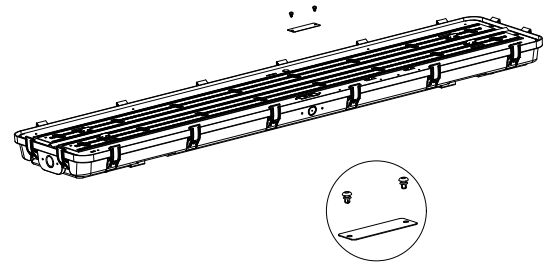
Additional Accessories

- Additional accessory, DC 12V sensor ANT-9

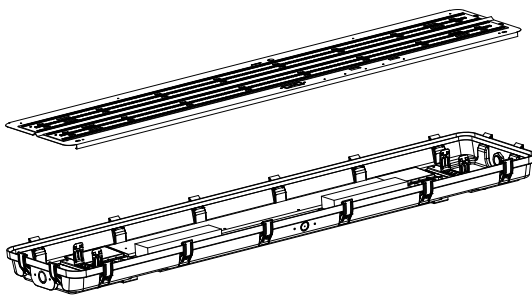
1.Remove the lens carefully.



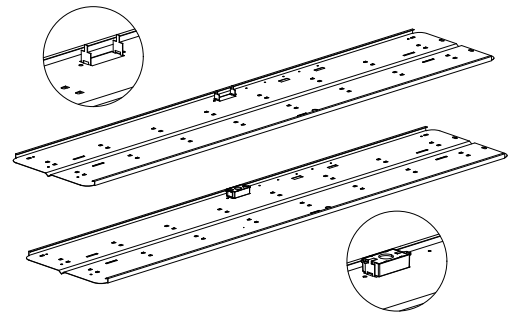
2.Remove the plastic screw and remove the cover.



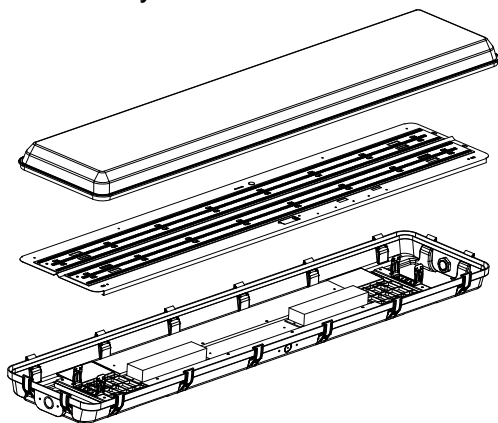
3.Remove the LED tray by shrinking the 2 elastic supports.



4.Bend the metal clips that hold the sensor to 90 degrees. Place sensor between the 2 clips and bend the clips to make sensor firmly secured.



5.Connect the sensor to the driver refer to General Wiring Diagram. Reinstall the LED tray and fixture lens.



General Wiring Diagram

