



SB-G LED Indoor High-Bay Series.



OVERVIEW:

- Efficiency: Up to 130LPW
- Delivered Lumens: Up To 23,000 lumens
- Input Power: 100W, 150W, 200W
- CCT: 3000K, 4000K, and 5000K
- Power factor > 0.90
- UL/cUL DLC, FCC damp Location Listed, IP44
- DLC color 4000k, 4500k, 5000k and 5700k

DESCRIPTION

The SB-G series LED Luminaries with a rugged aluminum body, aluminum heat fin system, top mounted built in power case and excellent thermal management makes this fixture ideal for indoor damp environmental applications. It combines LED performance using under driven chips and advanced LED drivers providing lighting that is both energy efficient and aesthetically pleasing.

A scientifically designed scaled aluminium reflector provides focused lumens where needed. The scaled design also features a high-unified rating (UGR) optimizing lumen output.

The SB-G LED series was designed for Warehouses, industrial, commercial, manufacturing, gymnasium and other applications that utilize traditional HID and linear fluorescent high bays.

- Input Voltage: 100-277V or 200-480V
- Limited Warranty: 5 Years, 50,000-hour at 25°C
- 0-10V dimming, Emergency, motion sensor available
- Operating temperature: -40°C to 45°C, -40°F to 113°F
- Beam angle: 45°, 60°, 110°
- * Acrylic and Aluminum lens, bottom lens cover is available.
- CRI: >70

SPECIFICATION FEATURES

Construction

Revolutionary vented thermal structure constructed of high-grade aluminum greatly improves heat dissipation and performance.

Thermal Management

The SB G series provides excellent thermal management using a built in top mounted power case along with Heat Pipe technology enables rapid heat transfer away from critical components extending fixture life. This enables the Luminaries to withstand higher ambient temperatures without degrading LED life.

Electrical

LED driver and related electrical components are hard wired and mounted to the housing for optimal heat sinking and operating efficiency. 120- 277V or 200-480V 50/60Hz, 0-10V dimming and emergency are available to accommodate controls such as motion sensor step dimming. Emergency available. Operating temperature range of -40°C to 45°C, -40°F to 113°F

Mounting Options

* Comes standard with top mounted metal loop for mounting.

Compliance

cULus listed for damp location -20°C- 45°C. DLC, lighting facts, Fcc listed, RoHS compliant and LED modules comply with IESNA LM-79 and LM-80 standards.

Finish

With a minimum of 3-5 millimeter thickness. Finish is oven-baked at 400 °F to promote maximum adherence and finish hardness. All finishes are available in standard black/silver and custom colors.

Warranty

5-year limited warranty.

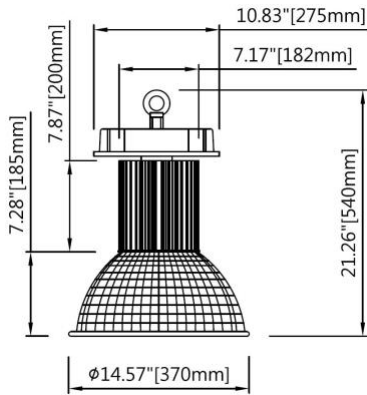
Optics

45°, 60°, 110° beam angles are available to provide flexibility in light distribution. Acrylic lens, Aluminum lens and bottom lens cover are also available. Available in 3000K, 4000K, or 5000K LED color temperatures (CCT) minimum 70 CRI

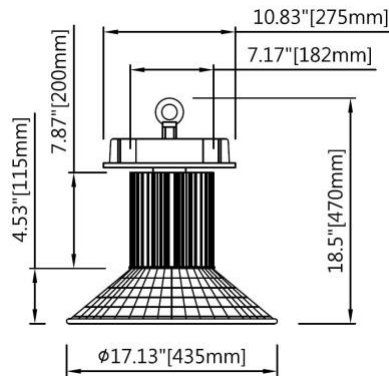
DIMENSIONS:

SB-HB/G+/100W

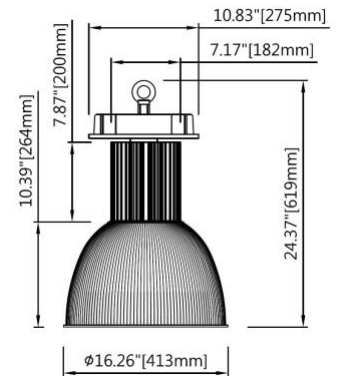
Aluminum Reflector: 14" 60°



Aluminum Reflector: 17" 110°



Acrylic Reflector: 16" 45°

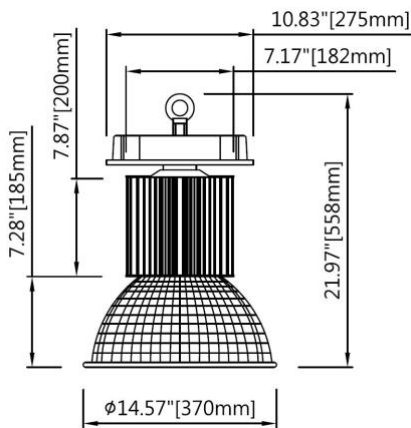


11.5 lb

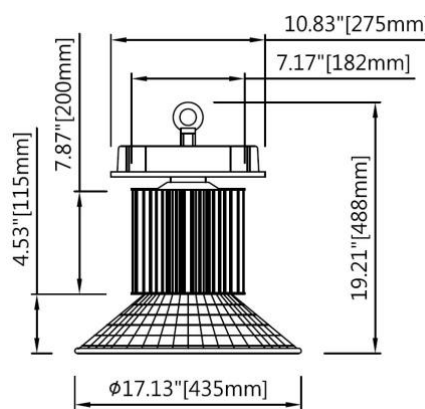
DIMENSIONS: Aluminum Reflector

SB-HB/G+/150W

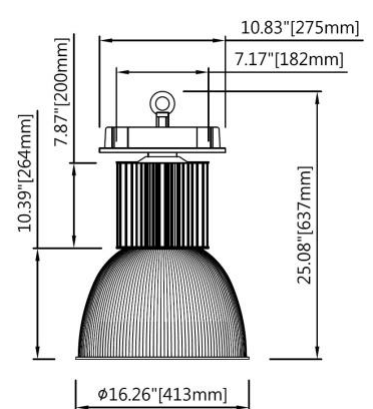
Aluminum Reflector: 14" 60°



Aluminum Reflector: 17" 110°



Acrylic Reflector: 16" 45°

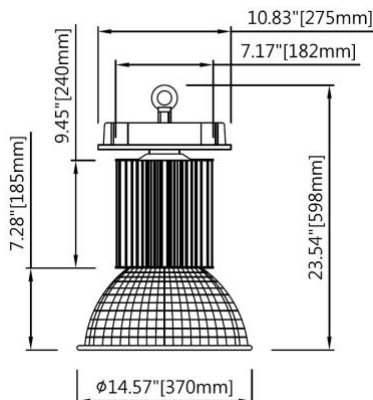


12.8 lb

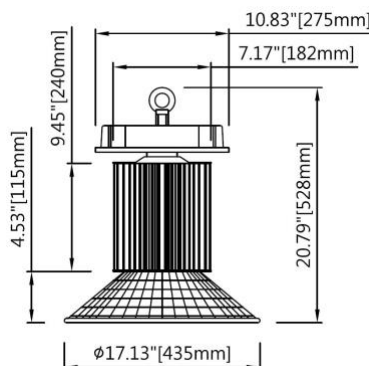
DIMENSIONS: Aluminum reflector

SB-HB/G+/200W

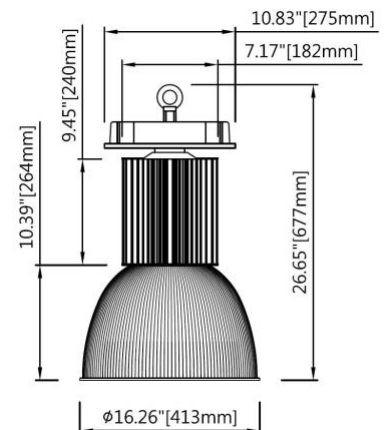
Aluminum: 14" 60°



Aluminum: 17" 110°



Acrylic: 16" 45°



14.8 lb

*** MODEL SELECTION:**

Example: SB-HB/G+C/100W/3D/CW

Products series	Voltage	Wattage	Options	Kelvin	Finish
SB-HB/G+	Blank=120-277 (standard)	*100W	*3D=1-10V Dimming(standard)	WW=3000K	*Blank=Silver (standard)
	*C=200-480V	150W	Blank=Non-dimming (standard)	NW=4000K	
		200W		*CW=5000K(standard)	

ACCESSORY ORDERING:

ACCESSORY	MODEL NUMBER	DESCRIPTION
Housing	SB-HBG-R45	G+ High Bay Acrylic Reflector 45°
	SB-HBG-R60	G+ High Bay Aluminum Reflector 60°
	SB-HBG-R110	G+ High Bay Aluminum Reflector 110°
	SB-HBG-RB45	G+ High Bay 45° reflector bottom
	SB-HBG-RB60	G+ High Bay 60° reflector bottom
	SB-HBG-RB110	G+ High Bay 110 ° reflector bottom
Mounting	SB-ACC	10' Aircraft Cable with Cable clip



Aluminum Reflector with bottom cover



Acrylic Reflector with bottom cover

LUMEN OUTPUT

GENERAL PERFORMANCE		
Wattage	KEVIN	DELIVERED LUMEN
100W	3000K	12000
	4000K	13000
	5000K	13200
150W	3000K	18000
	4000K	18500
	5000K	19000
200W	3000K	21000
	4000K	22000
	5000K	23000