



Selectable Wattages: 12W/18W/24W/30W



LED Architectural Wall Pack series can be widely used in indoor or outdoor lighting (wet location). Ideal for museums, art galleries, shopping malls, office buildings, walls and many other applications.

WATT/CCT
SELECTABLE



FEATURES

- LED high luminous efficiency and long working life.
- High efficiency LED Driver, the wide range input voltage AC120-277V / 277-480V.
- Die-cast aluminum cooling design, high quality and better cooling for LED Tj < 85°C.
- Excellent optics design, greatly improve the light utilization and evenness.
- Photocell , Wireless bluetooth system and Motion sensor control available (Optional)
- The 1-10V Dimming type is continuous.

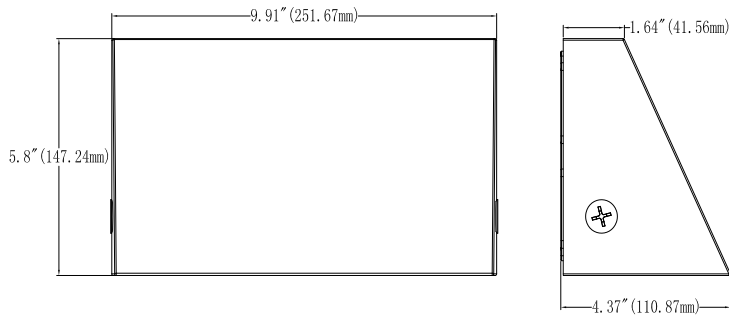
High performance, die-cast heat sink transfers heat from the light engine to the environment, drawing heat away from the fixture, and extending the lifespan of the LEDs.



SPECIFICATION												
WATTAGE	12W			18W			24W			30W		
LUMEN	1608 lm	1704 lm	1680 lm	2340 lm	2520 lm	2448 lm	3024 lm	3264 lm	3120 lm	3630 lm	3960 lm	3750 lm
EFFICACY	134 lm/W	142 lm/W	140 lm/W	130 lm/W	140 lm/W	136 lm/W	126 lm/W	136 lm/W	130 lm/W	121 lm/W	132 lm/W	125 lm/W
CCT	3000K	4000K	5000K	3000K	4000K	5000K	3000K	4000K	5000K	3000K	4000K	5000K
CRI	70											
INPUT VOLTAGE	AC120-277V / 277-480V											
BEAM ANGLE	Type V: 100.4 °X 91.6°											
POWER FACTOR	0.90											
DRIVER EFFICACY	90%											
FACTORY SETTINGS	30W & 4000K											
LIFE SPAN	over 50,000 hrs											
WORKING TEMPERATURE	-22°F ~ 113°F											
STORAGE TEMPERATURE	-40°F ~ 176°F											
OUTDOOR RATING	Wet location											
CABLE	5 core,18AWG (11.8 inch)											
WARRANTY	5 year limited											

Selectable Wattages: 12W/18W/24W/30W

DIMENSION



WATTAGE	12W-30W
NT. WEIGHT	4.28 lbs
INNER BOX	11.22" x 5.12" x 6.70"
OUTER BOX	12.01" x 11.22" x 14.57" (4Pcs/CTN)

EMERGENCY BACK-UP (SOLD SEPARATELY)



SB-EMPK04E27-4W
4W Emergency Backup
Battery LED Driver

BLD-TM04N-050
4W Low Temperature Emergency
Backup Battery LED Driver

**Low voltage (120-277Vac)
Luminaire models**

**Low voltage (120-277Vac)
Luminaire models
Temperature Rating (Ambient)
-20°C to 55°C (-4 °F to 131°F)**

CONTROL (SOLD SEPARATELY)



BRI810-B-M7
Microwave Motion Sensor

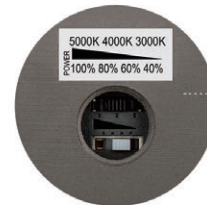
RC100
Remote Controller
(Matched microwave
BRI810-B-M7 is used)



**PHOTOCELL
STANDARD
P (Photocell)**

Optical lens is made of high
quality PC material to make
the light even and soft.

**WATT/CCT
SELECTABLE**



ORDERING INFORMATION

EXAMPLE:

SB-AFW12182430W27-345K-Z[D,W,B,S]-Y[Blank,P]-E[Blank,M]

SB	AFW	12182430W	27	345K	Z	Y	E
COMPANY	PRODUCT	WATTAGE	VOLTAGE	CCT	FINISH	CONTROL	CONTROL
SB LED INC	AFW LED Architectural Wall Pack	12182430W (12W/18W/ 24W/30W)	27 (AC120-277V) 48 (AC277-480V)	345K - (3000K/4000K/5000K)	D - (Dark Bronze) W - (White) B - (Black) S - (Silver)	AC120-277V P - (Photocell) AC277-480V (No Photocell)	M - (Motion Sensor)

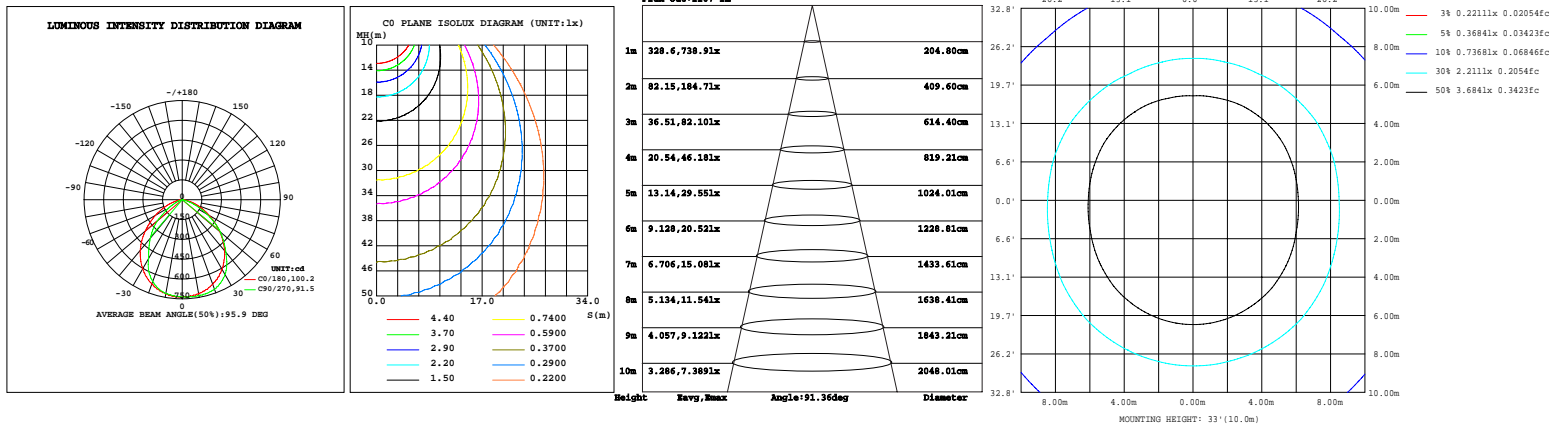


Selectable Wattages: 12W/18W/24W/30W

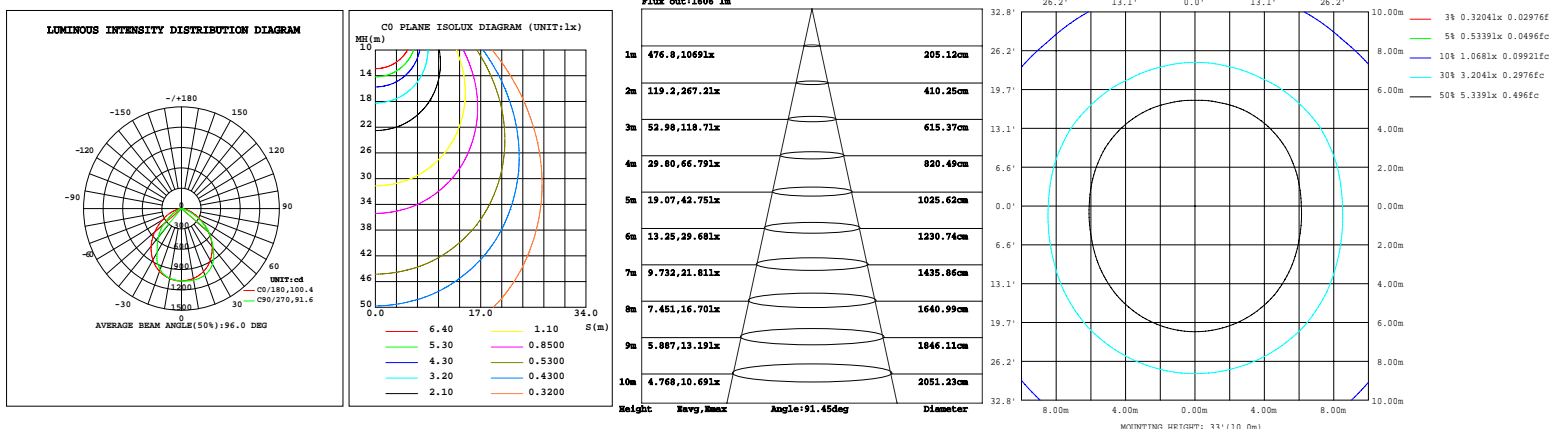
PHOTOMETRICS

For complete IES files, please visit our website.

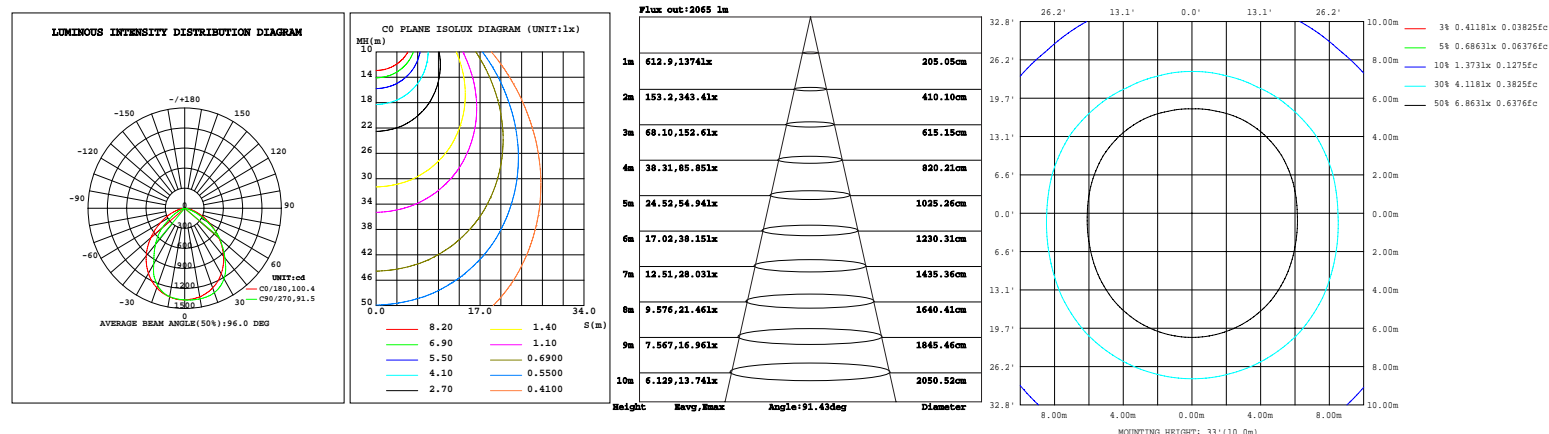
SB-AFW12182430W27-345K-D (12W@4000K)



SB-AFW12182430W27-345K-D (18W@4000K)



SB-AFW12182430W27-345K-D (24W@4000K)





Selectable Wattages: 12W/18W/24W/30W

PHOTOMETRICS

For complete IES files, please visit our website.

SB-AFW12182430W27-345K-D (30W@4000K)

