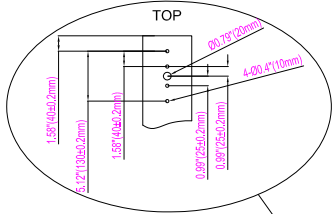


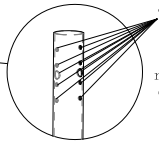
# DRAWING 1A

MODEL#	
PROJECT:	
NOTES:	
DATE:	
APPROVED BY:	
WEIGHT	
Pole:35 LBS/PC	Anchor Bolt:10.5 LBS/SET
Install Base Shield:5.06LBS/PC	Positioning Plate:0.5 LBS/PC



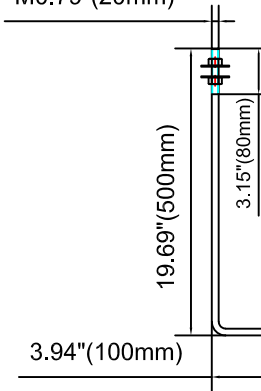
1. This top should be equipped with the corresponding movable rubber plug cover to prevent rain from entering and easy to open for wiring .

2. According to the marked size on the left, measure 180 degrees on the face of the round pole 2 and add 5 hole positions respectively , the hole should be blocked with corresponding rubber plug to prevent rain from entering after opening the hole positions.

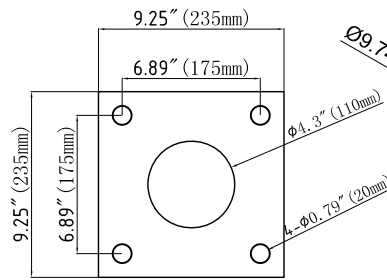
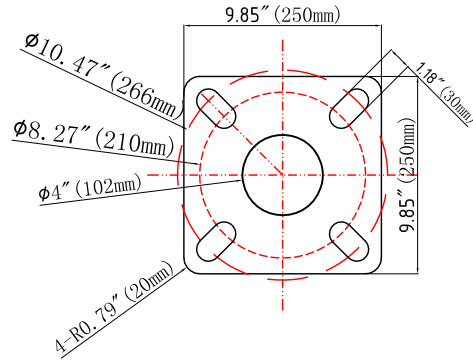


Ø4" (102mm) X 0.125" (3.2mm)

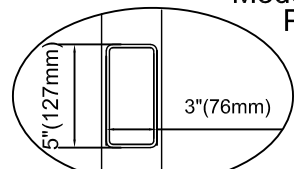
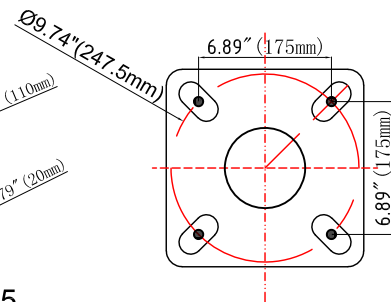
M0.79" (20mm)



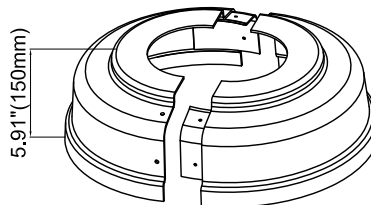
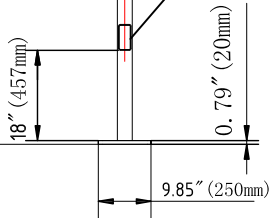
Model:WSD-BMS-S



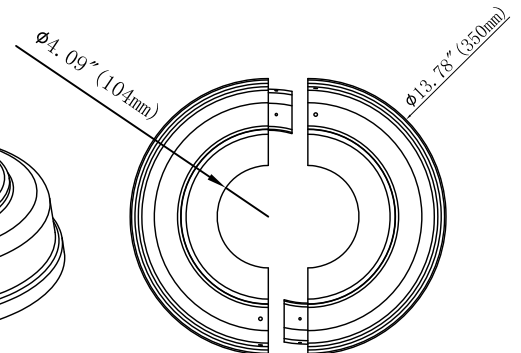
Model:WSD-SPP235  
Position plate



Handhole


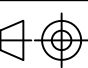


Model:WSD-IBR4-D



### Technical requirements

- The light pole material is aluminum alloy, the light pole surface and inside the aluminum color after oxidation powder treatment shall be subject to the order. No 0.5MM chamfer.
- All welding (electrode) shall be full, and there shall be no false welding, burr or other defects.
- The unmarked tolerance shall be executed according to the common tolerance table.
- Meet RoHS standards.

 <b>WSD LED INC</b> Green Lighting Resources		edition	Modifier	Time of modification	Repair the interior			
		Material No.	312.0421	Edition	A/1	Page	1/1	Tolerance requirements:(tolerance without special requirements)
Material Name	WSD-RAL15FT4-125-D	proportion	1:1	Angle	NO	± 0.2	mapping	
Specification Description		unit	mm		.X	± 0.1	check	
Drawing Number		material quality			.XX	± 0.05	examine and verify	
					.XXX	± 0.015		