



## SBF-A LED Flood Light Series



### OVERVIEW:

## DESCRIPTION

The SBF-A series LED Luminaries with a rugged aluminum body, paired with heat fins technology resulting in excellent thermal management makes this fixture ideal for outdoor harsh environmental applications. It combines LED performance using under driven chips and advanced LED drivers providing lighting that is both energy efficient and aesthetically pleasing.

Utilizing a High Transmittance anti-impact cover, the SBF-A series delivers over 93% of its output while offering excellent dust protection and even distribution.

The SBF-A Flood lights are perfect for parking lots, gas stations, parks, tunnels, warehouses and anywhere else a wide spread of light is needed.

- Efficiency: Up to 125 LPW
- Delivered Lumens: Up To 8,750 lumens
- Input Power: 70W,
- CCT: 5000K
- Power factor > 0.90
- UL/cUL, DLC Premium, FCC Wet Location Listed
- 100W DLC Premium (4000k, 4500k, 5000k, 5700k)

- CRI: Minimum 70
- Input Voltage: 100-277V
- Limited Warranty: 5 Years
- Non-dimming available
- Operating temperature: -40°F to 113°F
- Beam angle: 80° x 110°

## SPECIFICATION FEATURES

### Construction

Constructed of high grade, heavy-duty die cast aluminum with external fins. Wet location, achieved utilizing outdoor rated gaskets and sealed driver compartment.

### Thermal Management

The SBF-A series provides excellent thermal management using specially engineered perforated heat fins drawing heat away from critical components. This enables the Luminaries to withstand higher ambient temperatures without degrading LED life.

### Electrical

LED driver and related electrical components are hard wired and mounted to the housing for optimal heat sinking and operating efficiency. 120- 277V, Operating temperature range of, -40°F to 113°F

### Mounting Options

\* Comes standard with Adjustable Bracket.

### Compliance

cULus listed for Wet location  
Fcc listed, RoHS compliant and  
LED modules comply with IESNA  
LM-79 and LM-80 standards.

### Finish

With a minimum of 3-5 millimeter thickness. Finish is oven-baked at 400 °F to promote maximum protection against fade and wear. All finishes are available in standard black and custom colors available

### Warranty

5-year limited warranty.

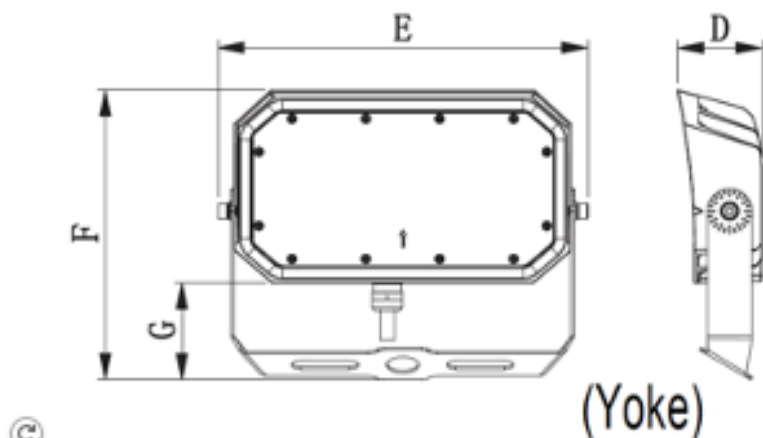
### Optics

80° x 110° beam angle is perfect for uniformity.

Available in 3000K, 4000K, or 5000K LED color temperatures (CCT) minimum 70 CRI

**DIMENSION**

**SBF-A**



A: 12.2" B: 11.7" C:4.8" D: 3.15" E:13.0" F:10.9" G:4.1"

**\* MODEL SELECTION:**

**Example: SBF/A/70W/CW**

Products series	Wattage	Voltage	Options	Kelvin	Mounting
<b>SBF/A</b>	*70W=70w	*Blank=120-277(standard)	*Blank=NON-Dimming(standard)	*CW=5000K(standard)	*Blank=Standard Yoke

**LUMEN OUTPUT**

GENERAL PERFORMANCE		
Wattage	KEVIN	DELIVERED LUMEN ±10%
70W	5000K	8750