

# Selectable UFO High Bay Light

**Wattages: 85W, 120W, 150W ; 115W, 160W, 200W; 140W, 190W, 240W**



Selectable UFO High Bay Light series can be widely used in outdoor or indoor lighting (Wet location), Excellent for Museums, Underground parking lot, Workshop, warehouse, gymnasium and many more applications.

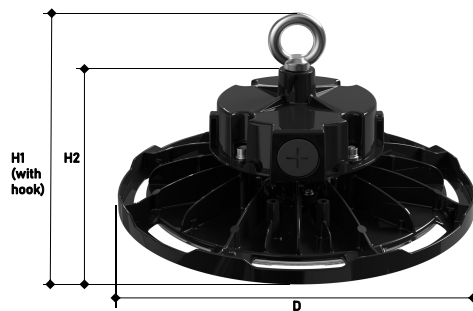


- ◆ LED high luminous efficiency and long working life.
- ◆ High efficiency LED Driver, the wide range input voltage AC120-277V/277-480V.
- ◆ Die-cast aluminum cooling design, high quality and better cooling for LED Tj < 85°C.
- ◆ Excellent optics design, greatly improve the light utilization and evenness.
- ◆ Wireless bluetooth system and Motion sensor control available (Optional)
- ◆ 12Vdc auxiliary dimming

## Structure Features:

- ◆ Shell materials: Aluminum & PC
- ◆ Finish: BLACK (Standard)
- ◆ Net weight : 85-150W: 1.84Kg (4.06 lbs)  
115-200W: 2.23Kg (4.90 lbs)  
140-240W: 2.80Kg (6.17 lbs)
- ◆ Product Size : 85-150W: φ260X154mm (10.2"X6.1")  
115-200W: φ300X154mm (11.8"X6.1")  
140-240W: φ340X164mm (13.4"X6.5")
- ◆ Carton Size : 85-150W: 277X274X139mm (10.91"X10.79"X5.47")  
115-200W: 317X314X139mm (12.48"X12.36"X5.47")  
140-240W: 358X354X143mm (14.09"X13.94"X5.63")

## DIMENSION:



Size unit: inch(mm)

Size	150W	200W	240W
Diameter, D	10.2(260)	11.8(300)	13.4(340)
Height 1, H1*	6.1(154)	6.1(154)	6.5(164)
Height 2, H2*	4.3(110)	4.3(110)	4.7(120)

SPECIFICATION									
TYPE	SB-UFO851215W27-3545K-B-H			SB-UFO115160200W27-3445K-B-H			SB-UFO141924W27-3445K-B-H		
WATTAGE	85W	120W	150W	115W	160W	200W	140W	190W	240W
LUMEN	12325lm	17400lm	21750lm	16675lm	23200lm	29000lm	20300lm	27550lm	34800lm
EFFICACY	> 145 lm/W								
CCT	3500K, 4000K, 5000K								
CRI	70								
INPUT VOLTAGE	AC120-277V/277-480V								
BEAM ANGLE	89°								
POWER FACTOR	0.95								
DRIVER EFFICACY	90%								
DIMMING	0-10V dimming 12V Auxiliary power								
FACTORY SETTINGS	150W & 4000K			200W & 4000K			240W & 4000K		
LIFE SPAN	over 50,000 hrs								
WORKING TEMPERATURE	-22°F ~ 113°F								
STORAGE TEMPERATURE	-40°F ~ 176°F								
OUTDOOR RATING	Wet location								
CABLE	3 core, 18AWG (72 inch)								
WARRANTY	5 year limited								

# Selectable UFO High Bay Light

**Wattages: 85W, 120W, 150W ; 115W, 160W, 200W; 140W, 190W, 240W**

**Bluetooth®**  
(Option)



MOTION SENSOR and Bluetooth options

Optical lens is made of high quality PC material to make the light even and soft.

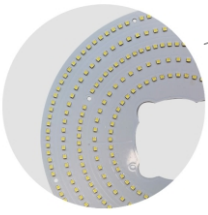


Hook (Standard)

High performance, die cast heat sink transfers heat from the light engine to the environment, via large cooling fins, drawing heat away from the fixture, and extending the lifespan of the LEDs.



**WATT/CCT SELECTABLE**



Top tier LEDs are driven well below recommended safety limits, on both drive current and junction temperature, to keep components cool – maintaining the life of the LED, allowing for a compact and efficient heat sink design.

**Selectable CCT**  
Three position sliding switch  
3500K / 4000K / 5000K

**Selectable Power**  
Three position sliding switch  
85W / 120W / 150W  
115W / 160W / 200W  
140W / 190W / 240W

## EMERGENCY BACK-UP (SOLD SEPARATELY)



**SB-EMUFO40W347-R**  
30W/40W/60W Emergency Backup Battery  
**Available only for low-voltage (120-277Vac) Luminaire models**

## CONTROL (SOLD SEPARATELY)



**Bluetooth®**  
**ANT-5-4T-BLE-SR**  
Bluetooth Microwave Motion Sensor



**Bluetooth®**  
**ANT-5-4T-BLE-GE**  
Bluetooth Microwave Fixture Sensor



**ANT-5-4T Motion Sensor**  
Bi-level microwave Sensor

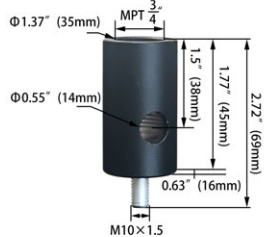


**RC100**  
Remote Controller



**BRI-WS204-GE**  
4-Button Wireless Wall Switch  
**(Can only be used for ANT-5-4T-BLE-GE)**

## ACCESSORIES (SOLD SEPARATELY)



**UFO High Bay Lights Pendant Adaptor**  
Item: PDUFO-M10-3/4  
Main Parameters: bottom screw M10, top thread NTP3/4"  
Material: Aluminum



**HOOK**  
Item: SB-UFO-HOOK  
Main Parameters: bottom screw M10



**WIRE GUARD**  
Item: SB-UFO-PNC-150W  
SB-UFO-PNC-200W  
SB-UFO-PNC-240W



**Polycarbonate Cover**  
Item: SB-UFO-PC-150W  
SB-UFO-PC-200W  
SB-UFO-PC-240W



**Glare shield on lens bottom**  
Item: SB-UFO-BPC-150W  
SB-UFO-BPC-200W  
SB-UFO-BPC-240W

## MOUNTING (SOLD SEPARATELY)



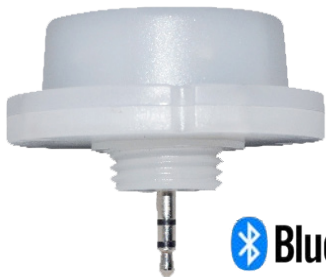
**Trunnion**  
Item: SB-UFO-T  
Trunnion, Mainly used for indoor or outdoor ceiling installation, can be directly mounted on the ceiling.

## ORDERING INFORMATION

EXAMPLE: **SB-UFO851215W27-3545K-Z[D,W,B,S]-U[H,T]-E[Blank,M]/ SB-UFO141924W27-3545K-Z[D,W,B,S]-U[H,T]-E[Blank,M]**

SB	UFO	851215W	27	3545K	Z	U	E
COMPANY	PRODUCT	WATTAGE	VOLTAGE	CCT	FINISH	MOUNTING	CONTROL
<b>SB LED INC</b>	<b>UFO</b> (UFO High Bay Light)	<b>851215W</b> 85W/120W/150W <b>115160200W</b> 115W/160W/200W <b>141924W</b> 140W/190W/240W	<b>27</b> (AC120-277V) <b>48</b> (AC277-480V)	<b>35K</b> - (3500K) <b>4K</b> - (4000K) <b>5K</b> - (5000K)	<b>D</b> - (Dark Bronze) <b>W</b> - (White) <b>B</b> - (Black) STANDARD <b>S</b> - (Silver)	<b>H</b> -(Hook) <b>T</b> -(Trunnion)	<b>M</b> -(Motion Sensor)

**Wattages: 85W, 120W, 150W ; 115W, 160W, 200W; 140W, 190W, 240W**



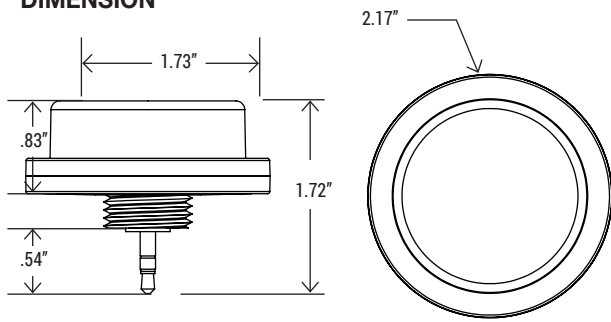
**ANT-5-4T-BLE-SR**  
Plug and Play Network BLE Nodes and Sensor

The Bluetooth Lighting Control provides automated individual and group control of light fixtures using on sensors and Bluetooth sagemesh technology. The ANT-5-4T-BLE-SR mounted in an Commercial lighting fixture and provides multi-level control solution based on motion and or daylight harvesting contribution.

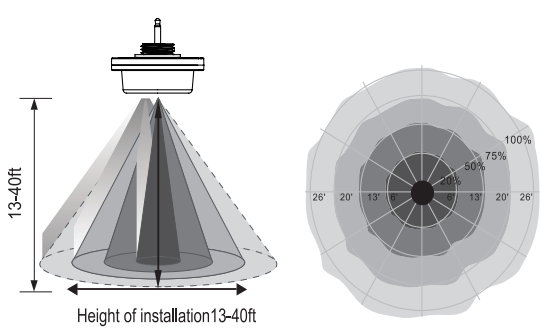
**FEATURES**

- Lighting controls meet design lights consortium (DLC) networked lighting control system technical requirements.
- Quick connect and adjust different sensor angle.
- Easy commissioning with Mobile App (Available in IOS).
- Bluetooth network with Saas working by computer
- Individual addressability and/or grouping.
- Time clock scheduling for individual lights, groups or scenes.
- Multi-level dimming: manual ON/OFF automatic ON/OFF, and automatic partial ON/OFF, daylight harvesting control capability.

**DIMENSION**



**COVERAGE**



**SPECIFICATION**

<b>NETWORK BLE MESH</b>	Yes
<b>DAYLIGHT HARVESTING</b>	Yes
<b>MICROWAVE MOTION SENSOR</b>	Yes
<b>DETECTION MODE</b>	Occupancy/Vancancy/Bi-level in 1 Unit
<b>OPERATING VOLTAGE</b>	12-24V DC
<b>OPERATING CURRENT</b>	>50mA
<b>SINKING CURRENT</b>	max. 25mA
<b>CONTROL OUTPUT</b>	0-10V
<b>RADIO FREQUENCY</b>	2.4GHz ± 75MHz
<b>WIRELESS STANDARD</b>	BLE 5.0 MESH
<b>PROGRAMMING</b>	Silvair iOS App ( IOS )
<b>CYBERSECURITY</b>	UL
<b>ENCRYPTION</b>	AES 128-bit
<b>MESH RANGE</b>	60ft node-to-node and 500ft node-to-device (Commissioning)
<b>SAFETY</b>	cULus Listed
<b>FCC</b>	FCC
<b>OPERATING TEMP.</b>	-20°C - +60°C
<b>IP RATING</b>	IP65
<b>WARRANTY</b>	5 year limited

**MICROWAVE SENSOR FEATURES**

<b>DAYLIGHT HARVESTING</b>	On/Off
<b>MOTION SENSING</b>	On/Off
<b>FIRST TIME DELAY</b>	1-59 mins/infinite
<b>SECOND TIME DELAY</b>	0-59 mins/infinite
<b>DIM LEVEL</b>	0-100%
<b>MOUNTING HEIGHT</b>	13-40ft
<b>DETECTION RANGE</b>	up to 52ft diameter
<b>DETECTION: HORIZONTAL</b>	360°
<b>DETECTION: VERTICAL</b>	90°

**COMMISSIONING**

Silvair iOS App makes it easy to pair devices, create groups, set scenes/schedules, customize dimming levels, and adjust high trim based on application needs.

Please scan and download the app.

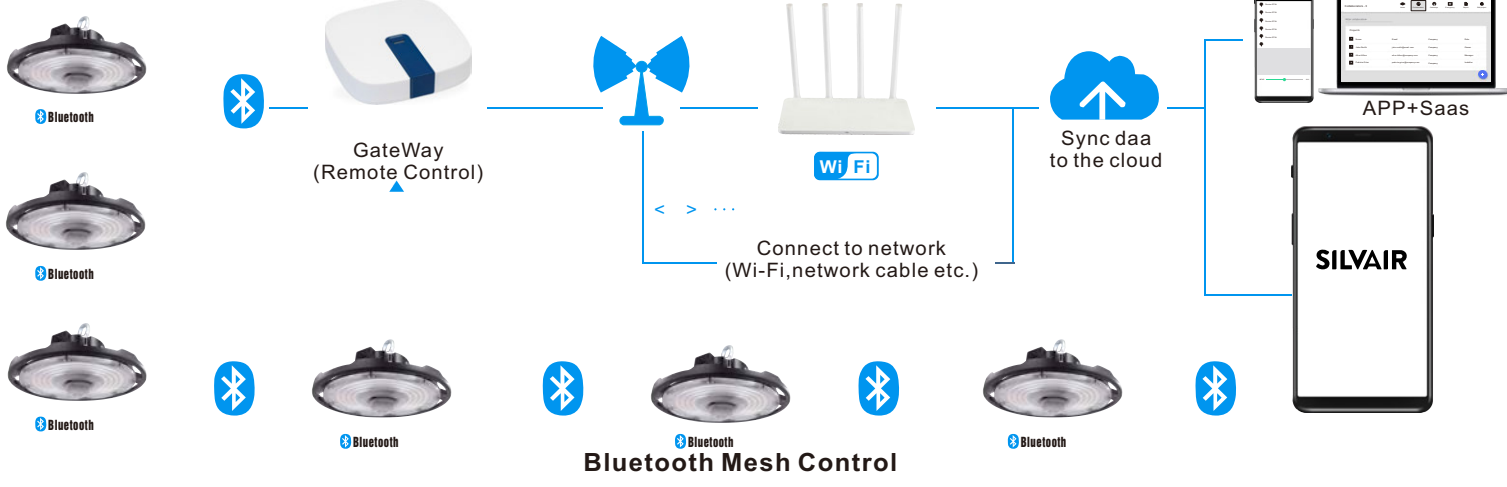
Operation Instruction:  
[https://youtu.be/8KWPK7z\\_Tng](https://youtu.be/8KWPK7z_Tng)

# Selectable UFO High Bay Light



**Wattages: 85W, 120W, 150W ; 115W, 160W, 200W; 140W, 190W, 240W**

## GateWay Remote Control



### Functions:

The SilvaIR Gateway enables the following functions in the SilvaIR web app:

- Scheduling (available by default)
  - Scheduling changes in scenes and lighting control scenarios (for example occupancy sensing, daylight harvesting) for specific times or days.
- Energy and occupancy monitoring (additional paid service)
  - Visualizing energy use and occupancy via the SilvaIR web app.
  - Downloading energy and occupancy via the SilvaIR web app and cloud-based API.
- Remote monitoring and control (additional paid service)
  - Low-latency monitoring of the status of devices in the network via API.
  - Low-latency control of devices in the network via API.
- System diagnostics
  - Monitoring of the status of Bluetooth mesh networks.
  - Remote troubleshooting of networking issues.

### Features:

- Future-proof Linux operating system.
- Simple commissioning using the SilvaIR Commissioning tools.
- Automatic connection to the SilvaIR cloud.
- Secure provisioning with secure IDs and encrypted keys.
- High level of hardware and software security (secure boot and encrypted file system can only be accessed with the management platform).
- Automatic security updates.
- Prompt releases of OS updates and fixes to vulnerabilities.
- Low-latency transfer of network, luminaire, and sensor status data to the SilvaIR cloud.
- Schedule caching.
- Automatic remote firmware updates.
- Display of gateway and network performance metrics (requires the SilvaIR web app).

## INDUSTRIAL GATEWAY

### SGW-101

Smart Engineering Gateway

The SilvaIR Gateway connects Bluetooth mesh networks that have been commissioned using the SilvaIR Commissioning tools to the SilvaIR cloud. This allows the scheduling of events and delivery of services based on the data generated by these networks.

### SPECIFICATION

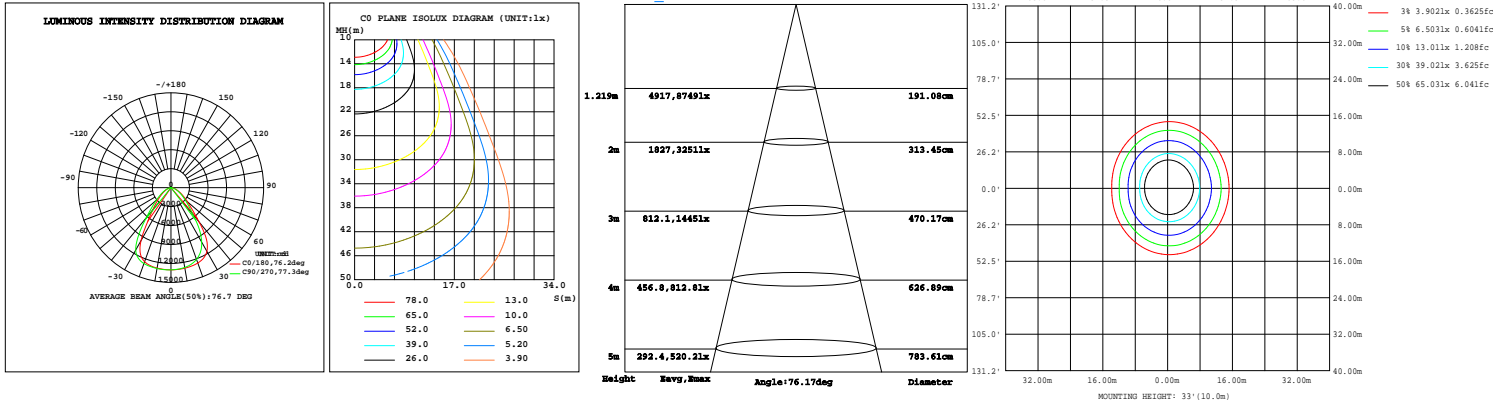
<b>POWER SUPPLY</b>	4.5–5.5 V DC, 2 A Power over Ethernet 36–57 V DC (IEEE 802.3af)
<b>OPERATING SYSTEM</b>	Ubuntu Core
<b>PROCESSOR</b>	i.MX6ULL (Y2), 32-bit ARM 800 MHz
<b>MEMORY</b>	512 MB DDR3L SDRAM 8GB eMMC
<b>COMMUNICATION PROTOCOLS</b>	Bluetooth mesh (2.4 GHz Bluetooth Low Energy) Wi-Fi 802.11a/b/g/n/ac (2.4/5 GHz) 4G LTE Cat 1 with 2G/3G (only for Cascade-500-W and Cascade-500-X gateways)
<b>PORTS</b>	1 x RJ45 10/100 Ethernet 1 x USB 2.0 Type-A 2 x external dipole antenna, 5 dBi (only for Cascade-500-W and Cascade-500-X gateways)
<b>REQUIRED AMBIENT TEMPERATURE</b>	0°C to 60°C 32°F to 140°F
<b>ENCLOSURE DIMENSIONS</b>	127 mm x 127 mm x 30 mm (5 inch x 5 inch x 1.2 inch)
<b>MOUNTING POSITION</b>	Wall or surface mounted. As close to the geometrical center of the lighting network as possible, but as far as possible from potential sources of interference.
<b>SECURITY</b>	Secure boot with encrypted operating system Secure communication with the SilvaIR Cloud over Internet (TLS) Secure communication with devices over qualified Bluetooth mesh

**Wattages: 85W, 120W, 150W ; 115W, 160W, 200W; 140W, 190W, 240W**

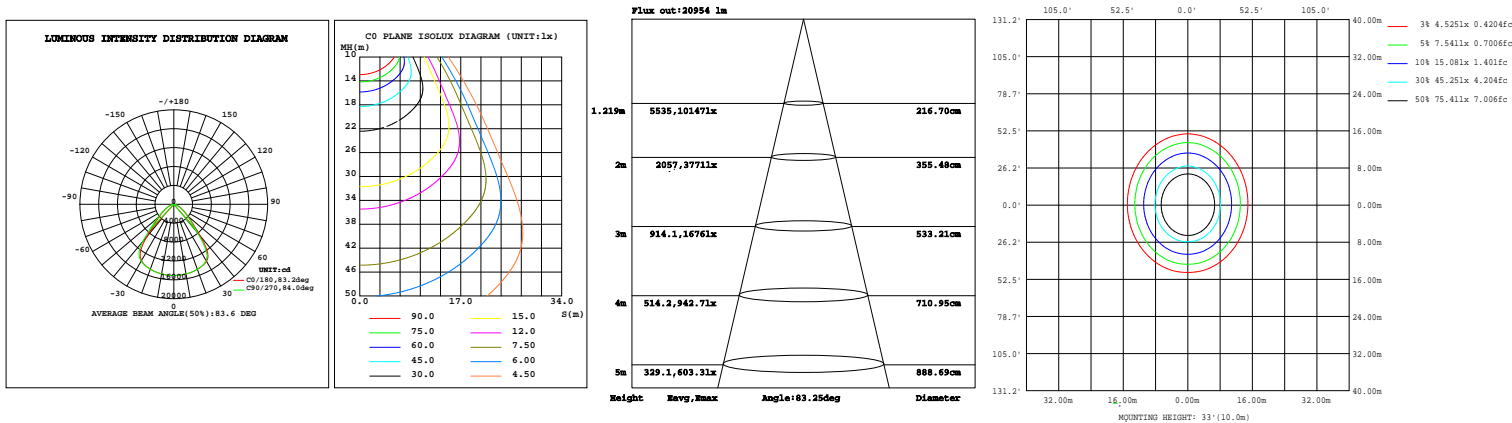
## PHOTOMETRICS

For complete IES files, please visit our website.

### SB-UFO851215W27-3545K (150W 4000K)



### SB-UFO115160200W27-3545K (200W 4000K)



### SB-UFO141924W27-3545K (240W 4000K)

