

Wet Location LED Exit Sign

TYPE: CR-7110

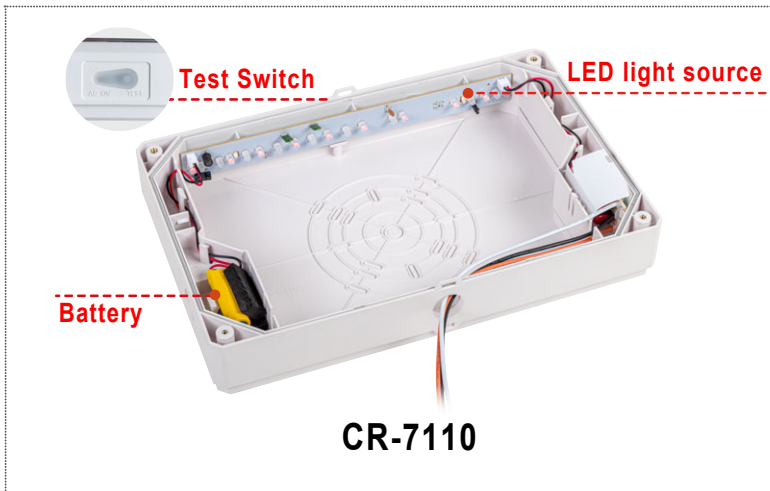
Wet Location LED Exit Sign accord with US STANDARD - Injection-molded, flame-retardant and high impact thermoplastic housing. This exit sign with design is great for placing on doorways, isles, restaurant, office building and warehouses.



CR-7110



PRODUCT DISPLAY:

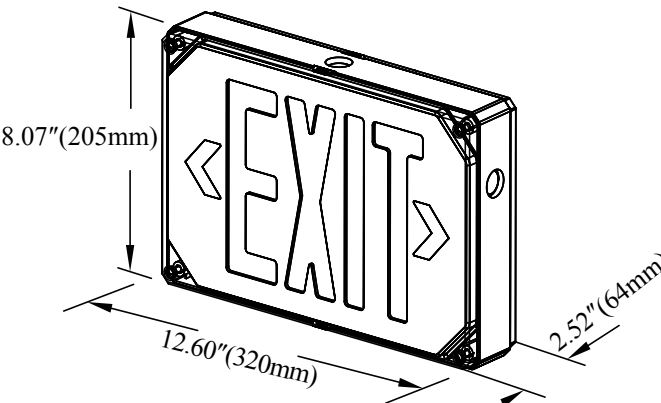


	SPECIFICATION
TYPE	CR-7110
WORKING VOLTAGE	120 / 277V 60Hz
INPUT RATING	2.0W 150mA
FACTORY SETTING	Double-Face free parts in package
BATTERY	3.6V NiCad Battery
COLOUR	Red, Green Color In One
EMERGENCY DURATION	90 Mins
RECHARGE TIME	24 Hours
PROTECTION LEVEL	Wet Locations / IP65
OPERATION TEMPERATURE	0°C ~ 40°C
CERTIFICATION	UL
FINISH	White
DIMENSION	320X64X205mm
CABLE	Input Connect, No cable
WARRANTY	2 year limited

Wet Location LED Exit Sign

TYPE: CR-7110

DIMENSION:



WATTAGE	CR-7110
NT. WEIGHT	2.65 lbs
BOX DIM.	8.39" X 3.66" X 12.87"
OUTER BOX	19.21" x 17.32" x 13.58"(10Pcs/CTN)

ORDERING INFORMATION

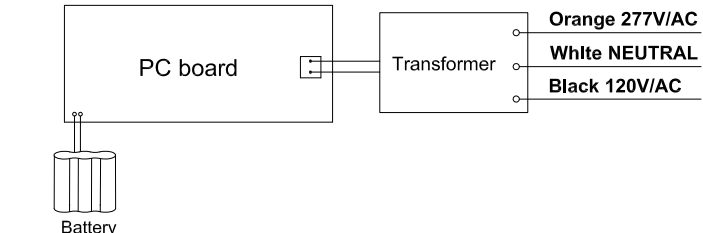
EXAMPLE:

CR-7110

CR	7110
CODE	CODE
WSD LED	7110 Product Code

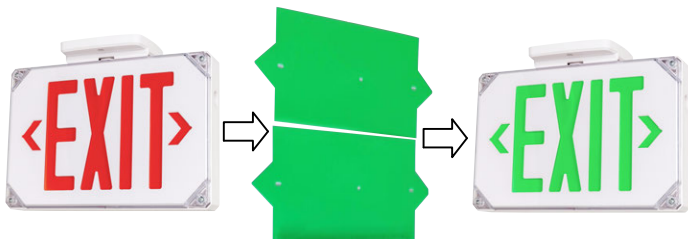
WIRING DIAGRAM:

Wiring diagram



Connect the white wire to neutral.
If using 120V, connect the black wire to the hot lead.
If using 277V, connect the orange wire to the hot lead.
Cap the unused lead.

PRODUCT ACCESSORIES: (Standard)



EXTRA TWO GREEN FILMS TO BE GREEN EXIT SIGN



EXTRA ONE FOR DOUBLE SIDE

MOUNTING ACCESSORIES: (Standard)



TYPE: CR-7110

INSTRUCTIONS :

Open front cover

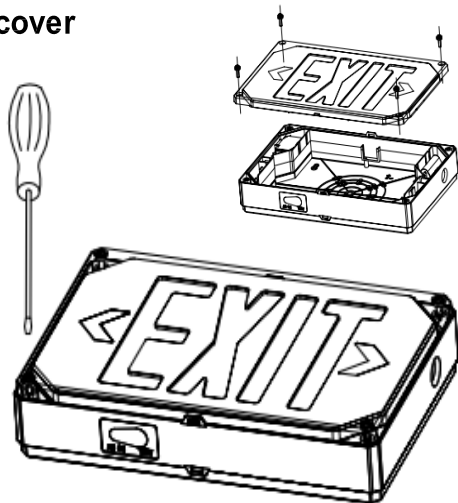


Fig 1

Wall mount : See "Important Safeguards" for installations in outdoor applications

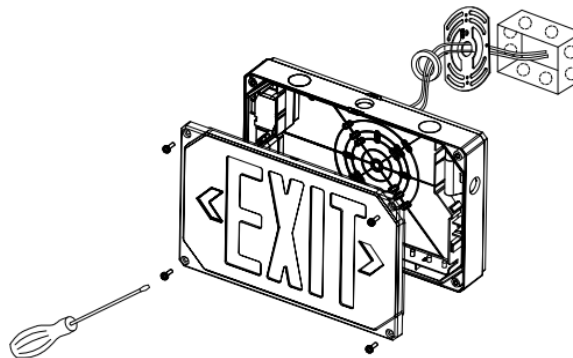


Fig 2

Side mount : See "Important Safeguards" for installations in outdoor applications

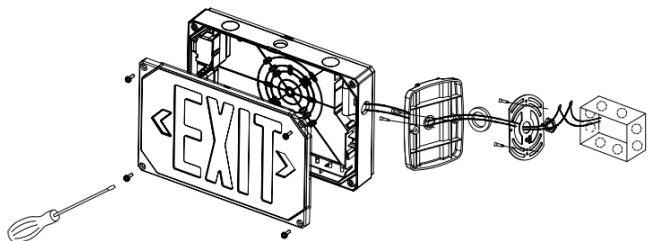


Fig 3

Ceiling mount : See "Important Safeguards" for installations in outdoor applications

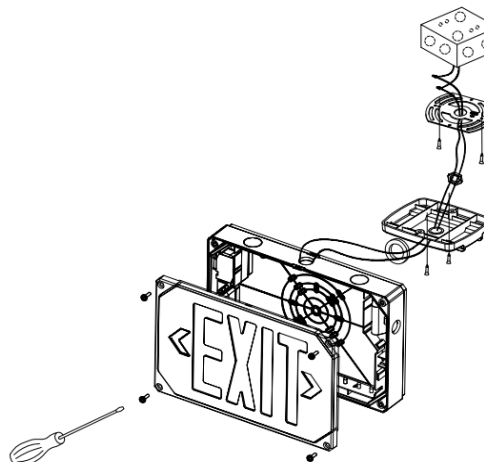


Fig 4

Canopy assembly

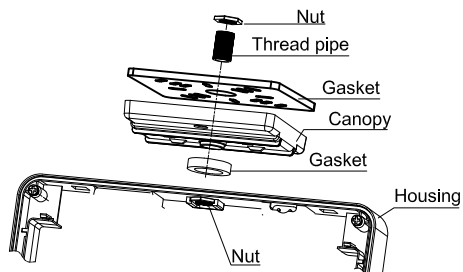


Fig 5

Use provided thread pipe and 2 nut fix canopy on unit, put gasket between unit and canopy.