

LED Emergency Light

TYPE: CR-7012,CR-7109R,CR-7109G,CR-7105R,CR-7105G

LED Emergency Light accord with US STANDARD - Injection-molded, flame-retardant and high impact thermoplastic housing. This exit sign with design is great for placing on doorways, isles, restaurant, office building and warehouses.



CR-7012

CR-7109R

CR-7109G

CR-7105R

CR-7105G

Standard:
Double-sided display

Standard:
Double-sided display

Standard:
Single side display and
Double-sided display

Standard:
Single side display and
Double-sided display



PRODUCT DISPLAY:



	SPECIFICATION				
TYPE	CR-7012	CR-7109R	CR-7109G	CR-7105R	CR-7105G
WORKING VOLTAGE	120/277V 50Hz/60Hz	120-347V	50Hz/60Hz	120/277V	60Hz
POWER CONSUMPTION	2W max	4W max		0.9W max	
FACTORY SETTING	Standard	Double-sided display		Single side display and Double-sided display	
BATTERY	3.6V	4.8V		3.6V	
OUTPUT WATTAGE	2.5W max	2W max		3W max	
EMERGENCY DURATION	≥90 Mins				
RECHARGE TIME	24 Hours				
ENVIRONMENT	DAMP				
OPERATION TEMPERATURE	0°C ~ 40°C				
CERTIFICATION	UL				
CABLE	Input Connect, No cable				
WARRANTY	2 year limited				

LED Emergency Light

TYPE: CR-7012, CR-7109R, CR-7109G, CR-7105R, CR-7105G

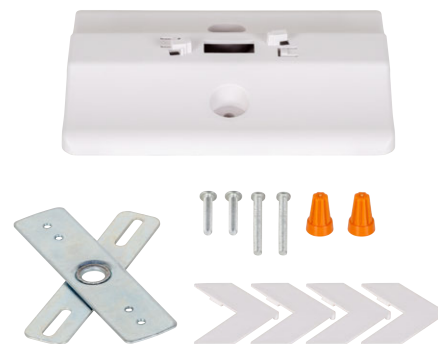
ACCESSORIES (Standard)



CR-7012



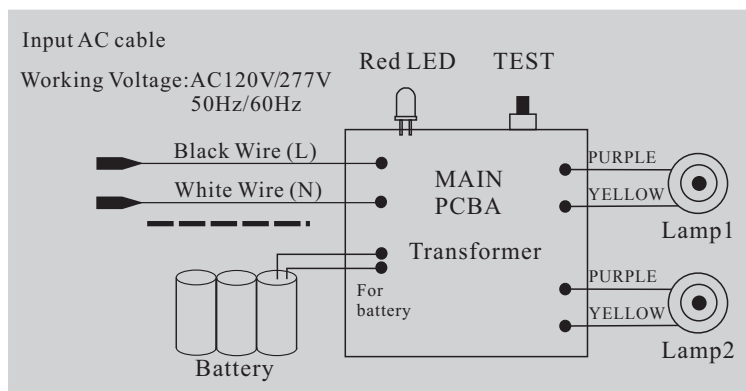
CR-7109R/CR-7109G



CR-7105R/CR-7105G

WIRING DIAGRAM:

CR-7012



CR-7105R/CR-7105G

Make the proper supply wire connections.

If using 120VAC, connect the black and White wires to the building utility.

If using 277VAC, connect the Orange and White wires to the building utility.



Black
120VAC
INPUT

White
Neutral

Orange
277VAC
INPUT

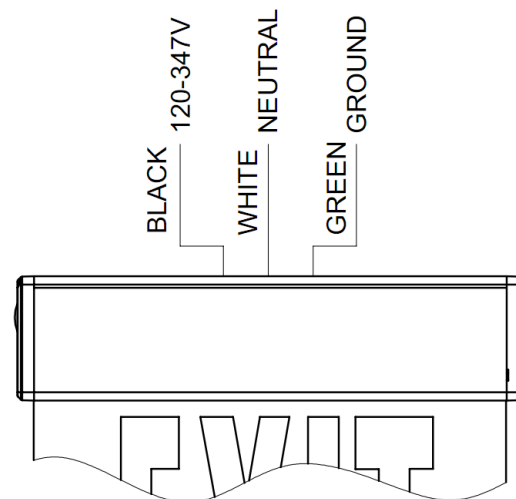
CR-7109R/CR-7109G

ELECTRIAL CONNECTIONS

Make the proper AC wire connections.

Connect the black, white and green wires to the building utility.

Use standard wires nuts to connect to wires.



LED Emergency Light

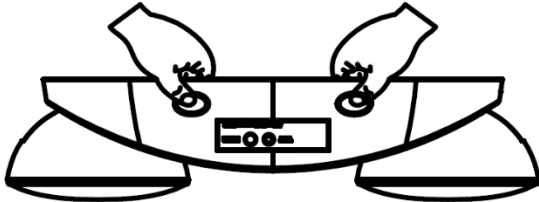
TYPE: CR-7012,CR-7109R,CR-7109G,CR-7105R,CR-7105G

INSTRUCTIONS :

CR-7012:

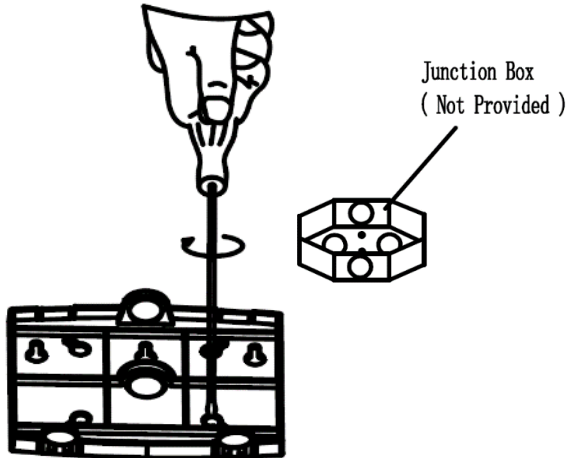
INSTALLATION(J-BOX MOUNTING):

1.Remove mounting plate from fixture.



2.Knockout in back of mounting plate and push wires through the hole.

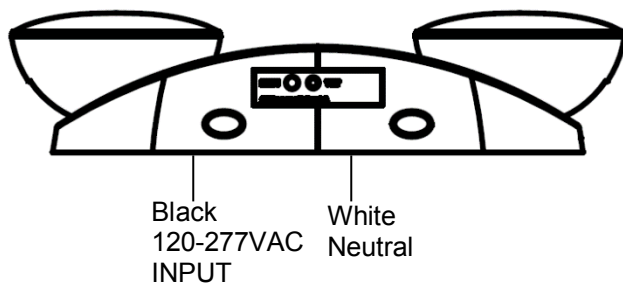
3.Securely attach mounting plate to J-box. Max. mounting height is 7.98ft.



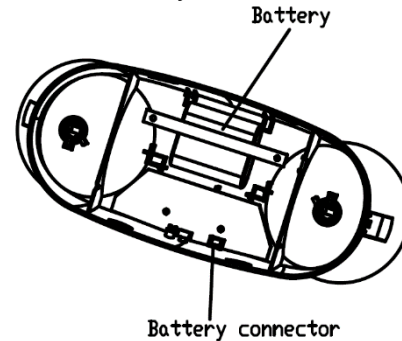
4.ELECTRICAL CONNECTIONS

Make the proper supply wire connections.

Connect the black and white wires to the building utility.



5. Connect the battery to connector on the PCBA.



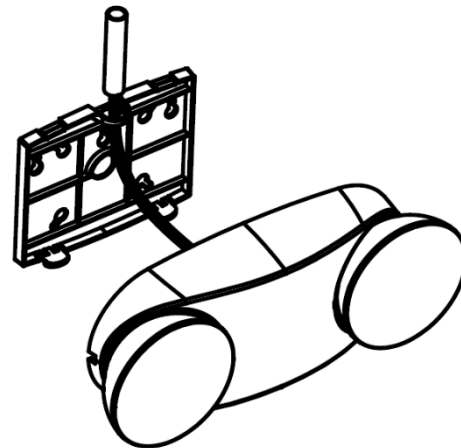
6. Snap fixture onto mounting plate and ensure no wires are pinched. Make sure unit is fully attached.

7. Restore power and press test button. Battery powered LED will come on, AC light will turn off.

Ceiling Mounting

1. Open top cover and knockout on the top of fixture.

2. Secure the mounting plate to tube with nut.



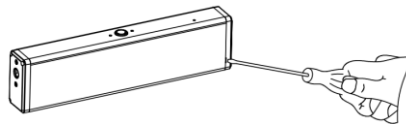
3. Reference step 4 - 7 in wall mounting above for ceiling mounting.

TYPE: CR-7012,CR-7109R,CR-7109G,CR-7105R,CR-7105G

CR-7109R/CR-7109G:

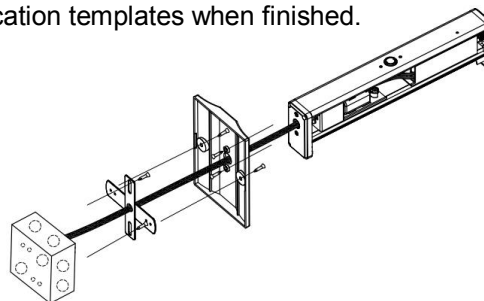
Choose mounting configuration (end, top or back mount). Plug remaining holes with the appropriate color plugs.

1. Secure canopy bracket to ceiling or wall.
2. Open the housing cover.
3. Secure housing and canopy with screws (see mounting configuration).
4. Feed the AC input leads (black, white and green) through the housing and canopy's center hole. Connect AC input leads to AC power supply leads.
5. Secure canopy into canopy bracket with 1-1/2" long #8-32 screws, then connect the battery.
6. Connect battery only after continuous AC power can be provided to the unit.
7. Snap housing cover into place.
8. Apply chevron directional indicators as required. Remove application templates when finished.



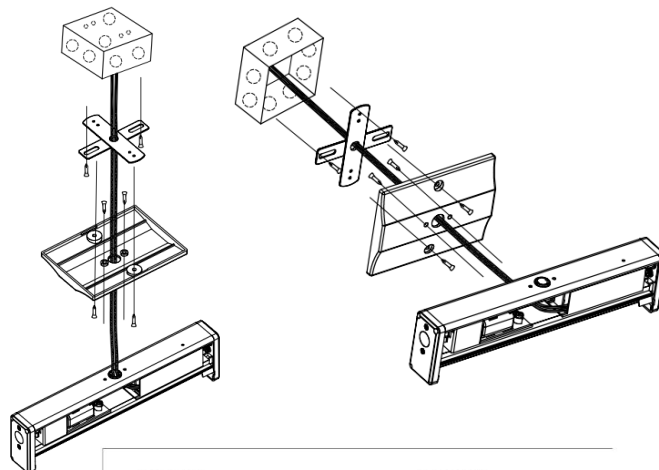
End Mount

1. Secure canopy to end plate of fixture with (2) 3/4" #10-24 screws (included).
2. Run connection wires through large hole.
3. Make electrical connections and mount canopy to junction box using (2) 1-1/2" #8-32 screws (included).



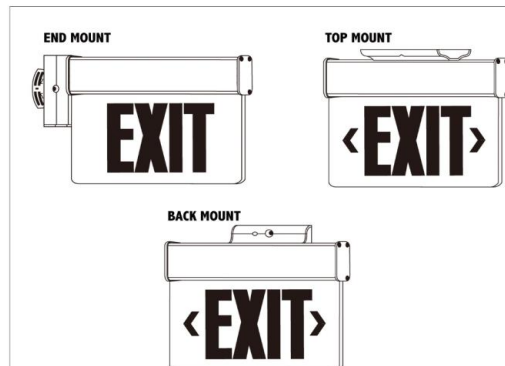
Top Mount

1. Secure canopy to top of fixture using 3/4" #8-32 screw and hex nut, and 1/2" center hole with threaded nipple and hex nuts (included).
2. Run connection wires through threaded nipple.
3. Make electrical connections and mount canopy to junction box using (2) 1-1/2" #8-32 screws (included).



Back Mount

1. Mount canopy to junction box using (2) 1-1/2" #8-32 screws.
2. Run connection wires through large hole in center of canopy.
3. Secure fixture to canopy with (2) 3/4" #10-24 screws (included) by going directly into mounting holes.
4. Make electrical connections



LED Emergency Light

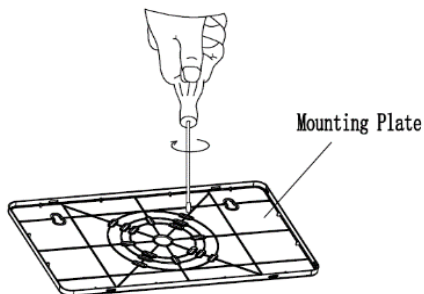
TYPE: CR-7012,CR-7109R,CR-7109G,CR-7105R,CR-7105G

CR-7105R/CR-7105G:

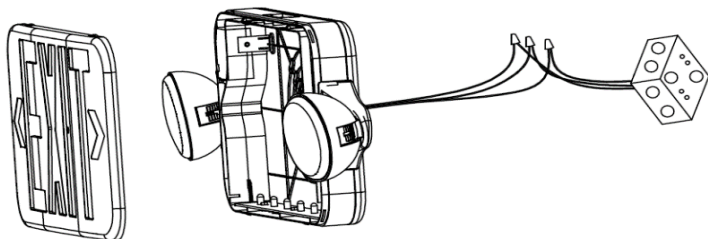
NOTE: First turn off electricity.

Wall mounting (Max. mounting height: 13.9ft)

1. Knockout in back of mounting plate and push wires through the hole.



2. Securely attach mounting plate to J-box (not provided).



3. ELECTRICAL CONNECTIONS

Make the proper supply wire connections.

If using 120VAC, connect the black and White wires to the building utility.

If using 277VAC, connect the Orange and White wires to the building utility.

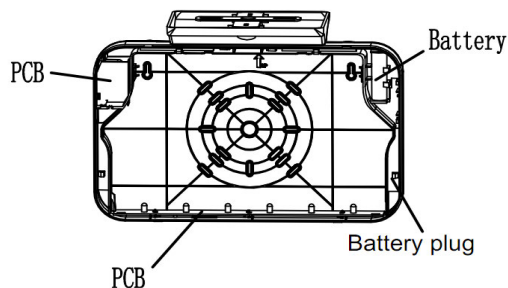


Black
120VAC
INPUT

White
Neutral

Orange
277VAC
INPUT

4. Connect the battery to connector on the PCBA.

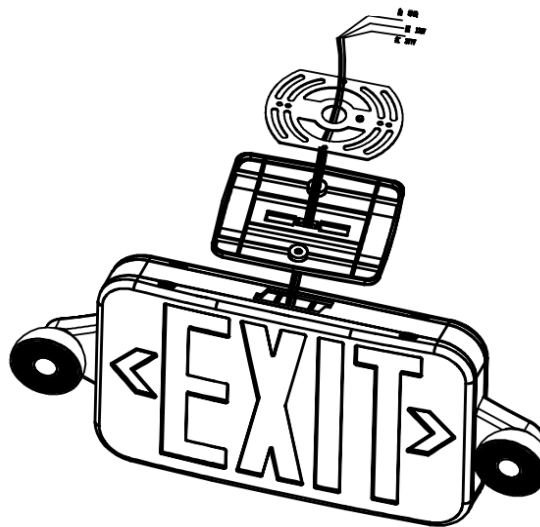


5. Snap fixture onto mounting plate and ensure no wires are pinched. Make sure unit is fully attached.

6. Restore power and press test button. Battery powered LED will come on, AC light will turn off.

Ceiling Mounting

1. Open top cover and knockout on the top of fixture.
2. Secure the mounting plate to tube with nut.
3. Push the wires through the hole for ceiling mounting.



4. Reference step 4-6 in wall mounting above for ceiling mounting.