

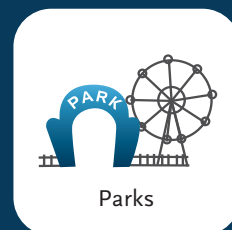
The background of the page is a photograph of a street at night, illuminated by streetlights. The scene is overlaid with large, semi-transparent blue geometric shapes that create a modern, layered effect. The streetlights are visible in the distance, and the overall atmosphere is cool and professional.

**SIGMALUX**  
COMMERCIAL LIGHTING

# Signalux C 15 Commercial Lighting

# APPLICATIONS

---



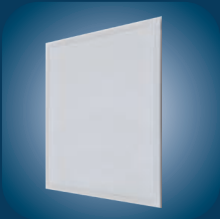
## COMPANY PROFILE

Our primary goal is to develop, produce and improve upon energy saving solutions and provide a meaningful product line that will assist in an overall reduction of energy used, reduce carbon and make for a more sustainable Earth.

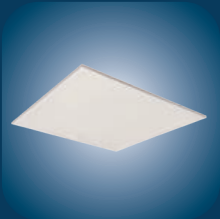
SNOWBALL LIGHTING “Sigmalex” for more than 20 years of experience leading provider in Industrial and Commercial LED lighting solutions in Texas. our most products are American-Assembled to give you the quality fixtures that your space deserves. Our ambitious lead times allow for your peace of mind that your project will be completed in a timely manner, without sacrificing quality.

Our mission is to develop and produce high efficient, attractive, unconventional and of the highest quality products that has capacity to affect our physical and emotional comfort. We also ensure that our products reach the highest standards when it comes to safety, reliability, and value for the user. To achieve this, our company relies on the personal commitment, experience, dedication and expert skills of everyone in the organization.

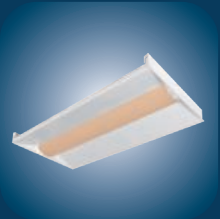
Many of our products have obtained CE, RoHS, UL, CUL, certificates. Our technology is unparalleled in the industry and our quality, testing and performance are second to none. Let us work together to achieve your design goals. We truly believe that you will enjoy working with us and hope that our businesses can both “Snowball” together.



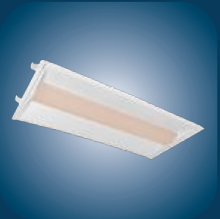
CD EDGE-LIT PANEL



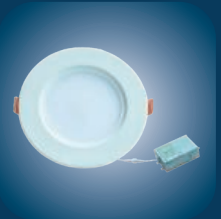
LPZ BACK-LIT LED PANEL LIGHT



TRF SENSOR BASED TROFFER



RTFD RETROFIT



WAFER



RP WRAPROUND



ST STRIP LIGHT



HBV HIGH BAY



UFO HIGH BAY



HLO7 BUDGET HIGH BAY



LHB LINEAR HIGH BAY



T5 AREA/PARKING LOT LIGHT



SB AREA/PARKING LOT LIGHT



T4 STREET LIGHT



FL FLOOD LIGHT



STADIUM LIGHT



UPGC UPLIGHT CANOPY



CPS CANOPY



CPG CANOPY



AFW 28W-120W ARCHITECTURAL WALL PACK



AFW 12W-30W ARCHITECTURAL WALL PACK SERIES



ARCHITECTURAL MINI WALL PACK



WPF FULL CUTOFF WALL PACK



WPT HALF MOON WALL PACK



GWP GLASS WALL PACK LIGHT



VAPOR TIGHT

# CONTENTS

## LED INDOOR LIGHTING

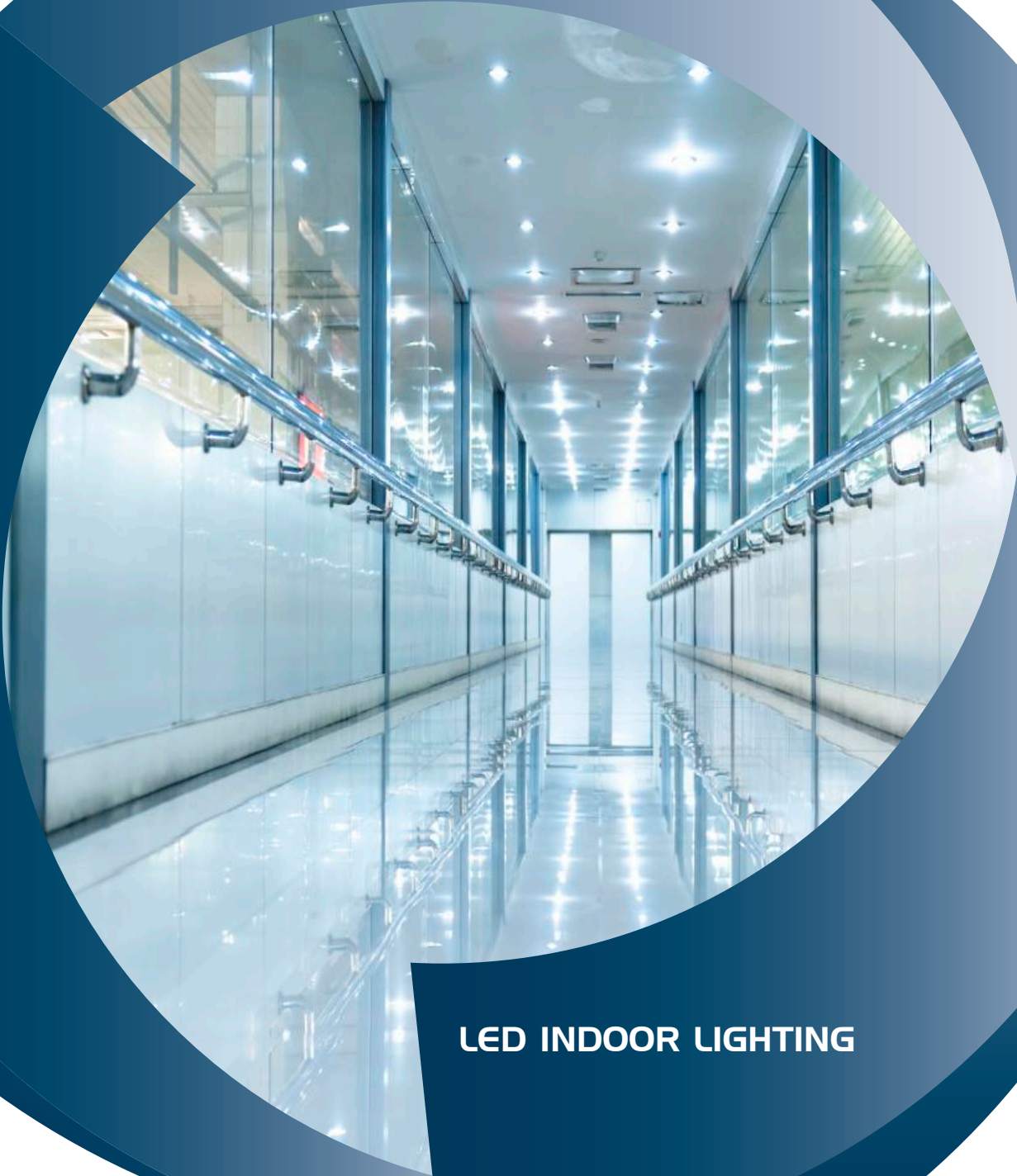
---

CD EDGE-LIT PANEL	P.06
LPZ BACK-LIT PANEL LIGHT	P.07
TRF SENSOR BASED TROFFER	P.08
RTFD RETROFIT	P.09
WAFTER	P.10
RP WRAPROUND	P.11
ST STRIP LIGHT	P.12
HBV HIGH BAY	P.13
UFO HIGH BAY	P.14
HLO7 BUDGET HIGH BAY	P.15
LHB LINEAR HIGH BAY	P.16

## LED OUTDOOR LIGHTING

---

T5 AREA/PARKING LOT LIGHT	P.20
SB AREA/PARKING LOT LIGHT	P.21
T4 STREET LIGHT	P.22
FL FLOOD LIGHT	P.23
STADIUM LIGHT	P.24
UPGC UPLIGHT CANOPY	P.25
CPS CANOPY	P.26
CPG GARAGE CANOPY	P.27
AFW 28W-120W ARCHITECTURAL WALL PACK	P.38
AFW 12W-30W ARCHITECTURAL WALL PACK	P.39
ARCHITECTURAL MINI WALL PACK	P.40
WPF FULL CUTOFF WALL PACK	P.41
WPT HALF MOON WALL PACK	P.42
GWP GLASS WALL PACK LIGHT	P.43
VAPOR TIGHT	P.44



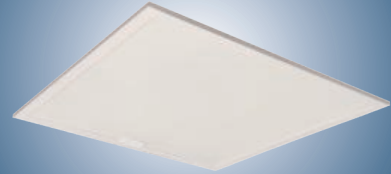
**LED INDOOR LIGHTING**



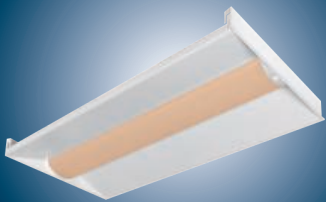
CD Edge-Lit Panel



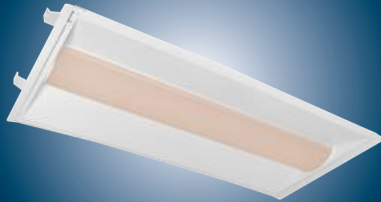
LPZ Back-lit panel light



TRF Sensor Based Troffer



RTFD Retrofit



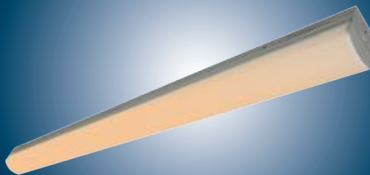
wafer



RP Wraparound



ST Strip Light



HBV High Bay



UFO High Bay



HLO7 Budget High bay



LHB Linear High Bay



# CD Edge-Lit Panel

2'X2' / 1'X4' / 2'X4'

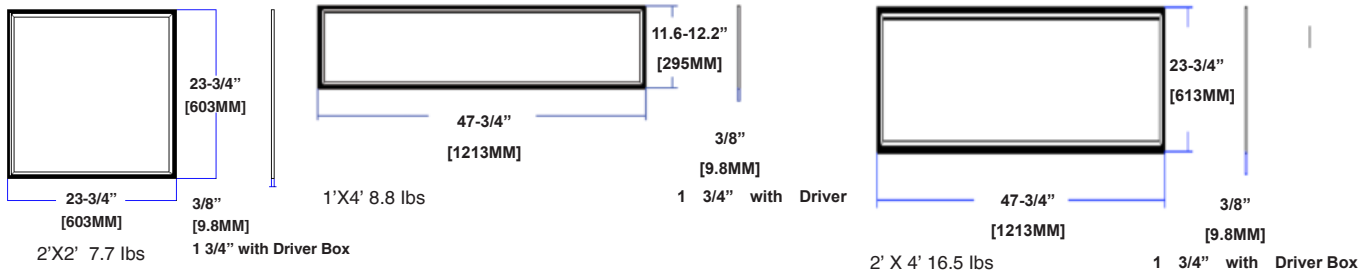


- Field Selectable Kelvin temp & Wattage
- Efficiency: Up to 112 LPW
- Input Voltage: 120-277V
- 0-10V Dimmable
- Input Selectable Power: 2'X2' 30W, 35W, 40W, 45W / 1'X4' 30W, 35W, 40W, 45W / 2'X4' 35W, 40W, 45W, 50W
- CCT Selectable: 3000K, 3500K, 4000K, 5000K
- Power Factor > 0.95
- CRI > 80
- Limited Warranty: 5 Years
- Operating Temperature: -4°F to 113°F
- UL/cUL DLC, Damp Location Listed
- Flicker Free
- Emergency Available



Adjust/Select Wattage & Color Temperature by Selector Switches

## Dimensions



## Accessories

SB-PM 2X2FT	2X2FT flat panel Surface Mounting Kit
SB-PM 1X4FT	1X4FT flat panel Surface Mounting Kit
SB-PM 2X4FT	2X4FT flat panel Surface Mounting Kit
SB-PSC	Drywall Hanging Kit 2pcs/set for 2X2
SB-PSC3	Drywall Hanging Kit 3pcs/set for 1X4, 2X4
SB-EBP/5W/B	Factory installed Remote Emergency Battery Pack 5w 90 minutes
SB-EBP/10.7W/B	Factory installed Remote Emergency Battery Pack 10.7w 90 minutes

## Model Information

Example: SB-CD2X2FT-45W

Products Series	Wattage	Kelvin	Controls
SB-CD2X2FT	45W = 30W 35W 40W 45W	Blank=3000K, 3500K, 4000K, 5000K	Blank=0-10V dimming
SB-CD1X4FT	45W = 30W 35W 40W 45W		
SB-CD2X4FT	50W = 35W 40W 45W 50W		





- Integrated Bluetooth, Occupancy and daylight sensor, field Kelvin temp and Wattage selectable
- Energy efficient: save up to 80% in energy costs
- High lumen output: 130 lm/W, up to 5,942 lm
- Mercury-free
- Instant-on light
- 50,000 hours at 70% lumen maintenance rated life
- CCT: 3500K-5000K (3500K/4000K/5000K)
- 5 years manufacturer warranty
- Compatible with most Lutron and Leviton dimmers
- The 0-10V Dimming type is continuous
- Wattage 2' X 2' and 1' X 4' 20W/25W/30W, 2' X 4' 35W/40W/46W
- UL Damp Location Listed



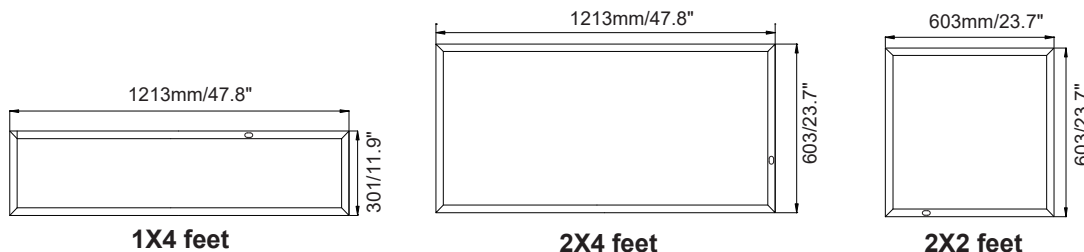
• Quick and easy in-field installation of sensors.

• Integrated occupancy and daylight controls.



The sensor receptacle is pre-embedded in the profile frame.

## Dimensions



## Accessories

SB-EMLY15W27-XX	15W Emergency Backup Battery LED Driver	PLSKY22-W	2'X2' Skylight frame
WIPE-3/8-3PIN	6FT 3/8 inch 3PIN Metal Flexible Conduit	PLSKY14-W	1'X4' Skylight frame
WIPE-3/8-5PIN	6FT 3/8 inch 5PIN Metal Flexible Conduit	PLSKY24-W	2'X4' Skylight frame
SB-14-CABLE KIT	Cable Suspended Mounting for 1X4 Panel Light	ANT-1P-4T	PIR Infrared Sensor
SB-22-24-CABLE KIT	Cable Suspended Mounting for 2X2 / 2X4 Panel Light	ANT-1P-4T-BLE	PIR Bluetooth Microwave Sensor
SB-B-PM1X4	1' X 4' Surface mount kit	RC-100	Wireless configuration handheld remote
SB-B-PM2X2	2' X 2' Surface mount kit	SB-TBAR	T-Bar for Emergency battery back up
SB-B-PM2X4	2' X 4' Surface mount kit		

## Model Information

Example: 14LPZ202530W27-3545K-BLE-G2

Size	Product	Power	Voltage	Cct	Contrl	Update
14-(1X4 feet) 22-(2X2 feet) 24-(2X4 feet)	LPZ LED Panel Lights	202530W/354046W 20W/25W/30W 35W/40W/46W	27 AC120-277V	3545K 3500K/4000K /5000K	BLE(Bluetooth) EC(Emergency) M(Motion Sensor) ECM(Emergency+ Motion Sensor)	G2 Second generation product



# TRF Sensor Based Troffer

2'X2' / 1'X4' / 2'X4'



- Integrated Bluetooth, Occupancy and daylight sensor, field Kelvin temp and Wattage selectable
- Efficiency: Up to 125 LPW
- Delivered Lumens: Up To 5,715 lumens
- Input Power: 2'X2'/1'X4': 20W, 25W, 30W  
2'X4': 34W, 38W, 45W
- CCT: 3500K-5000K (3500K/4000K/5000K)
- Power factor > 0.98
- Cable: input Connect. No Cable
- Aluminium body, PC lens
- CRI: > 80
- Input Voltage: 0-10v dim to 10% 120-277v.
- Options: Microwave sensor / EM available
- Limited Warranty: 5Years
- UL Damp Location Listed
- Lighting Angle: 119°



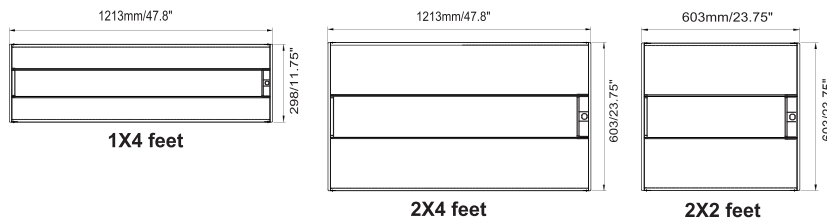
- Quick and easy in-field installation of sensors.



- Integrated occupancy and daylight controls.



## Dimensions



## Specifications:

### Troffer-14/22/24

**Length:** 1213MM/603MM/1213MM (47.8" /23.75" /47.8")

**Width:** 298MM/603MM/603MM (11.75" /23.75" /23.75")

**Depth:** 50MM/54MM/54MM(2.0" /2.13" /2.13" )

**Weight:** 7.7/6.8/11.4(lbs)

## Accessories

SB-EMLY15W27-XX	15W Emergency Backup Battery LED Driver
WIPE-3/8-3PIN	6FT 3/8 inch 3PIN Metal Flexible Conduit
WIPE-3/8-5PIN	6FT 3/8 inch 5PIN Metal Flexible Conduit
SB-14-CABLE KIT	Cable Suspended Mounting for 1X4 troffer
SB-22-24-CABLE KIT	Cable Suspended Mounting for 2X2 / 2X4 troffer
SB-B-PM1X4	1' X 4' Surface mount kit
SB-B-PM2X2	2' X 2' Surface mount kit
SB-B-PM2X4	2' X 4' Surface mount kit

## Accessories

PLSKY22-W	2'X2' Skylight frame
PLSKY14-W	1'X4' Skylight frame
PLSKY24-W	2'X4' Skylight frame
ANT-1P-4T	PIR Infrared Sensor
ANT-1P-4T-BLE	PIR Bluetooth Microwave Sensor
RC-100	Wireless configuration handheld remote
SB-TBAR	T-Bar for Emergency battery back up

## Model Information

Example: 14TRF202530W27-3545K-BLE-G2

Size	Product	Power	Voltage	Cct	Control	Update
14 - (1X4feet)	TRF	202530W/343845W	27	3545K	BLE (Bluetooth)	G2 Second generation product
22 - (2X2feet)	Led Troffer Light	20W/25W/30W	AC120-277V	3500K/4000K/5000K	EC (Emergency)	
24 - (2X4feet)		34W/38W/45W			M (Motion Sensor)	
					ECM (Emergency+ Motion Sensor)	



# RTFD Retrofit

2'X2' / 1'X4' / 2'X4'



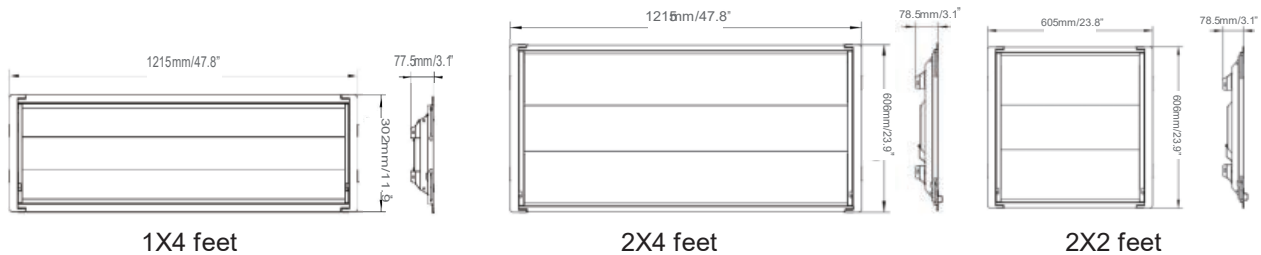
LED RTFD Retrofit

- Field Kelvin temp and Wattage selectable
- Energy efficient: save up to 80% in energy costs
- High lumen output
- Mercury-free
- Instant-on light
- 50,000 hours at 70% lumen maintenance rated life
- Input Power: 2'X2'/1'X4': 20W, 25W, 30W; 2'X4': 34W, 38W, 45W
- CCT: 3500K-5000K (3500K/4000K/5000K)
- The 1-10V Dimming type is continuous
- Compatible with most Lutron and Leviton dimmers
- UL Damp Location Listed



**WATT/CCT**  
SELECTABLE

## Dimensions



## Accessories

SB-EMLY15W27-XX	15W Emergency Backup Battery LED Driver
SB-TBAR	T-Bar for Emergency battery back up
WIPE-3/8-3PIN	6FT 3/8 inch 3PIN Metal Flexible Conduit
WIPE-3/8-5PIN	6FT 3/8 inch 5PIN Metal Flexible Conduit
BR1810-B-M	Daylight Harvest Motion Microwave Sensor
RC100	Handheld wireless configuration remote

## Model Information

Example: 14RTFD202530W27-3545K

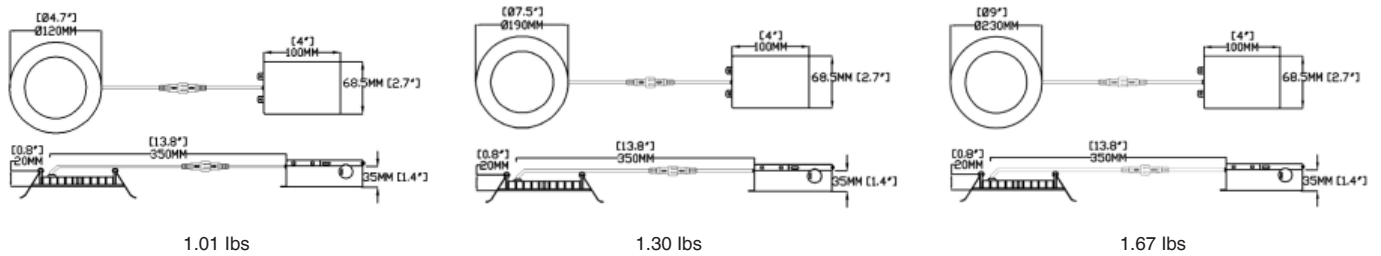
Size	Product	Power	Voltage	Cct
14 - (1X4feet)	RTFD	202530W/343845W	27 AC120-277V	3545K 3500K/4000K/5000K
22 - (2X2feet)	LED Troffer Retrofit Kit	20W/25W/30W		
24 - (2X4feet)		34W/38W/45W		





- Field Selectable Kelvin temp
- Efficiency: Up to 110 LPW
- Delivered Lumens: Up To 2,050 lumens
- Input Power: 4' 9W, 6' 16W, 8' 18W
- CCT Color Selectable: 3000K, 4000K, 5000K
- Power factor > 0.95
- ETL Damp Location Listed
- CRI: > 80
- Input Voltage: 100-277V Triac dimming
- Limited Warranty: 5 Years
- Triac dimming / line voltage dimming
- Operating temperature: -22°F to 113°F
- Beam angle: 120°, Edge lit.

### Dimensions



### Accessories

SB-EBP/5W/B Factory installed Remote Emergency Battery Pack 5w 90 minutes for flat panel

### Model Information

Example: SB-R4"-9W-DT-CCT

Products Series	Kelvin	CRI	Option
SB-R4"-9W-DT SB-R6"-16W-DT SB-R8"-18W-DT	CCT=3000K/4000k/5000k	Blank = CRI 80 (Standard)	Blank=Line Triac dimming 100-277V



# RP Wraparound

4'

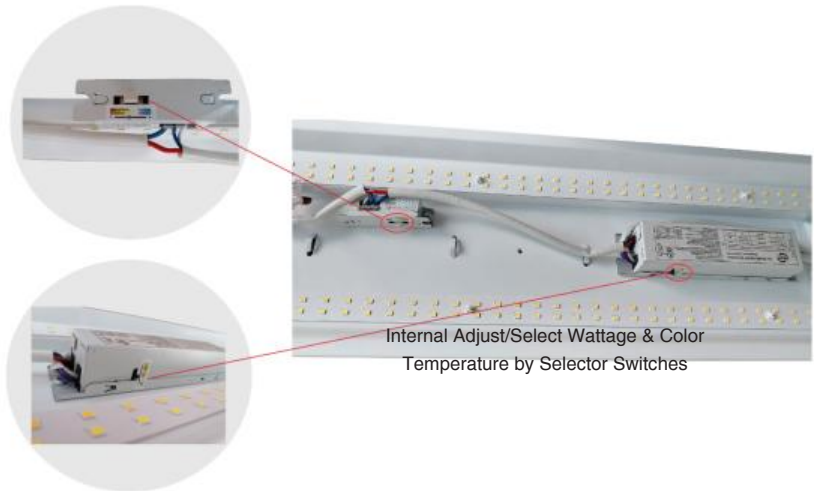


RP Wraparound Lighting

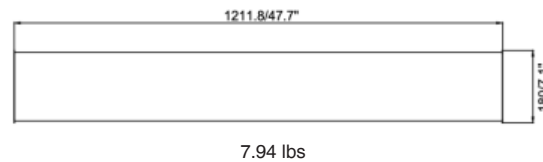
- Field Selectable Kelvin temp & Wattage
- Efficiency: Up to 135 LPW
- Delivered Lumens: 30W 4,110lm / 35W 4,690lm / 40W 5,240lm
- Power: 30W/35W/40W selectable
- Color: 3500K/4000K/5000K selectable
- Power factor > 0.98
- UL Damp Listed
- CRI: >80
- Input Voltage: 120-277V
- Limited Warranty: 5 Years
- 0-10V dimming
- Operating temperature: -20°C to +50°C
- Beam Angle: 105°
- Cable: Input Connect, No Cable



**WATT/CCT**  
SELECTABLE



## Dimensions



## Model Selection

Example: SB-RP4FT303540W-3545K

Products Series	Size	Wattage	Kelvin
SB-RP	4FT= 4 foot	303540W =30W/35W/40W Selectable	3545K=3500K/4000K/4500K Selectable



- Luminous part is integrated and fastened to fixture body by snap-locks.
- End-caps adopt integrated bending technique.
- Field-adjustable light output and CCT.
- Bi-level motion sensor or battery backup available.
- Power: 2' 15W/20W/25W; 4' 25W/30W/40W; 8' 55W/60W/65W
- Color: 3500K/4000K/5000K
- UL Damp Location Listed
- Limited Warranty: 5 Years, 100,000-hours



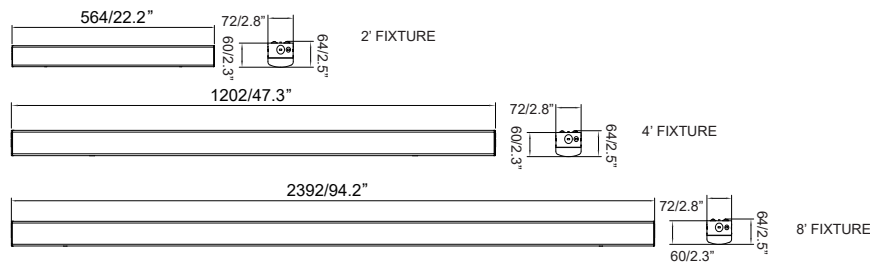
**WATT/CCT**  
SELECTABLE

Simply select desired CCT and Wattage before installation



Buckle design, Convenient disassembly and assembly

## Dimensions



## Accessories

SB-EMS8W27-XX	Factory installed 8W Emergency Battery Backup
SB-EMS15W27-XX	Factory installed 15W Emergency Battery Backup
SB-EMS20W27-XX	Factory installed 20W Emergency Battery Backup
BR1810-B-M10	Factory install Daylight Harvest Motion Microwave Sensor
BR1810-B-M10-Blu	Factory install Daylight Harvest Motion Microwave Sensor
RC-100	Adjustable Via handheld wireless configuration handheld remote

## Model Information

Example: SB-ST2FT152025W27-3545K

Product	Product	Size	Wattage	Voltage	CCT
SB (SB LED INC)	ST (Linear Strip Light)	2FT (2-feet) 4FT (4-feet) 8FT (8-feet)	152025W - (15W/20W/25W) 253040W - (25W/30W/40W) 556065W - (55W/60W/65W)	27 - (120-277V)	3545K - (3500K/4000K/5000K)



# HBV High Bay

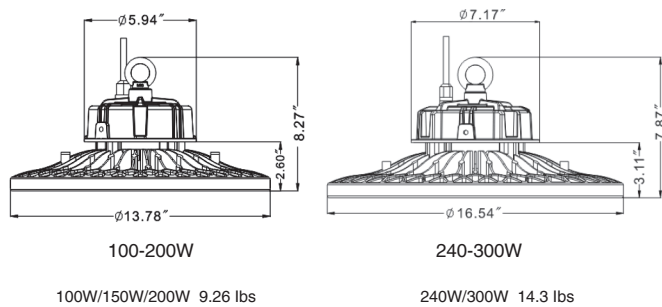
100W / 150W / 200W / 240W



- Efficiency: Up to 140 LPW
- CRI >80
- Input Voltage: 100-277V or 200-480V
- 1-10V Dimmable
- Input Power: 100W, 150W, 200W, 240W
- Power Factor > 0.95
- Beam Angle 120°
- CCT: 3000K, 4000K, 5000K
- ETL/cETL, DLC Premium, Wet Location Listed
- Limited Warranty: 5 Years
- Operating Temperature: -40°F to 113°F
- Day/light Sensor, Motion Sensor and Bluetooth Sensor Available



## Dimensions



## Accessories

SB-ACC	10' Aircraft Cable with Cable Clip
SB-HBV-HA	Aluminum Lens for 100W 150W 200W
SB-HBV-HB	Aluminum Lens for 240W 300W
SB-HBV-B	Bracket
SB-HBV-SA	Prismatic Cover for 100W, 150W, 200W
SB-HBV-SB	Prismatic Cover 240W 300W
SB-HBV-SA-B	Prismatic Cover + Bottom Cover for 100W, 150W, 200W
SB-HBV-SB-B	Prismatic Cover + Bottom Cover for 240W, 300W with Bottom Cover

## Model Information

Example: SB-HBV-10W-RP-30

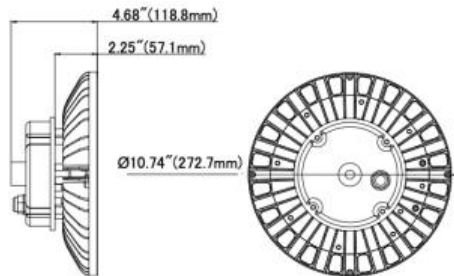
Products Series	Wattage	Options	Voltage	Kelvin
SB-HBV	10W = 100W 15W = 150W 20W = 200W 24W = 240W 30W = 300W	R = 1-10V Dimmable (Standard)	P = 200-480V Blank = 100-277V	30 = 3000K 40 = 4000K 50 = 5000K



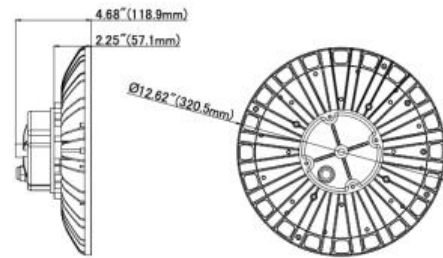
- Efficiency: Up to 160 LPW
- Input Power: 100W,150W,200W
- CCT: 4000K, 5000K
- Power factor > 0.95
- UL, Wet Location
- CRI: >70
- Input Voltage: 120-277V
- Limited Warranty: 5 Years
- 0-10V dimming
- Beam 89°
- Operating temperature: -22°F ~ 113°F
- Storage temperature: -40°F ~ 176°F
- Cable: 3 core, 18AWG (300mm)
- Wattage 100W,150W,200W



## Dimensions



100-150W 5.36 lbs



200W 6.57 lbs

## Accessories

ANT-5-4T	On/off step dimming motion sensor
ANT-5-4T-BLE	Bluetooth Microwave Sensor field plug and play
ANT-6-4T	PIR Motion Senso field plug and play
UFO-150BP	Block dust plate for 100W & 150W
UFO-200BP	Block dust plate for 200W
SB-UFO-LSA	Aluminum Lamp Shade for 100W & 150W LED UFO High Bay
SB-UFO-LSB	Aluminum Lamp Shade for 200W LED UFO High Bay
SB-UFO-T	U Bracket of UFO High Bay Light
RC-100	Adjustable Via handheld wireless configuration handheld remote
PDUFO-M10-3/4	Pendant Adaptor for Low Voltage Driver
PDUFO-M12-3/4	Pendant Adaptor for High Voltage Driver
UFO-150PC	Polycarbonate Cover for 100W & 150W
UFO-200PC	Polycarbonate Cover for 200w
UFO-BPC	Glare shield on lens bottom (need add dust plate)

## Model Information

Example: SB-UFO10W27-30K-D-H-M-G2

Company	Product	Wattage	Voltage	CCT	Finish	Mounting	Control	G2
SB LED INC	UFO (UFO HighBay Light)	10W - (100W) 15W - (150W) 20W - (200W)	27 (AC120-277V) 48 (AC277-480V)	30K - (3000K) 40K - (4000K) 50K - (5000K)	D (Dark Bronze) W (White) B (Black) S (Silvery)	H - (Hook) T (Trunnion)	M - (Motion Sensor)	G2 - (Second generation)



# HL07 Budget Highbay

100W / 150W / 200W

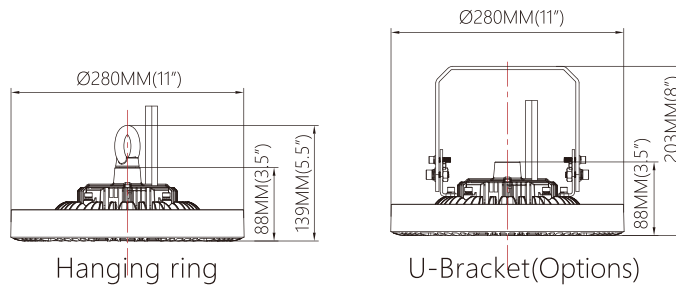


HL 07 Highbay

- Efficiency: Up to 150 LPW
- Input Power: 100W,150W,200W
- CCT: 5000K
- Power factor > 0.95
- UL Wet Location
- CRI: >80
- Input Voltage: 120-277V
- Limited Warranty: 5 Years
- 1-10V dimming, Continuous
- Beam 120°
- Operating temperature: -22°F ~ 122°F
- Cable: 3 core, 18AWG (300mm)
- Wattage 100W, 150W, 200W



## Dimensions



## Model Information

Example: SB-HL07-100WLD-50K

Products Series	Wattage	Voltage	Options	Kelvin	Finish
SB-HL07	10W=100W 15,000 Lm 15W=150W 22,500 Lm 20W=200W 30,000 Lm	L= AC120-277V	D=1-10V dimming standard	50K=5000K	Blank=Black (standard)



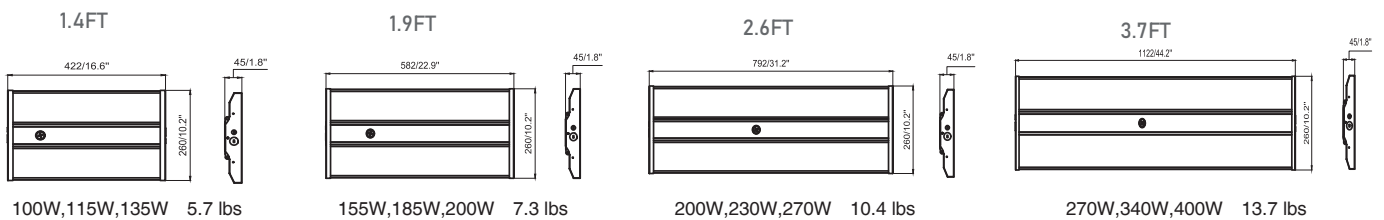




**WATT/CCT  
SELECTABLE**

- Integrated Bluetooth, Occupancy and daylight sensor, field Kelvin temp and Wattage selectable
- Efficiency: Up to 155 LPW
- Delivered Lumens: Up To 56,000 lumens
- Power: 1.4' 100W/115W/135W, 1.9' 155W/180W/200W, 2.6' 200W/230W/270W, 3.7' 270W/340W/400W
- Color: 3500K, 4000K, 5000K
- Power factor > 0.98
- UL Damp location
- CRI: >80
- Input Voltage: 120-277V
- Limited Warranty: 5 Years
- 0-10V dimming
- Operating temperature: -4°F ~ 122°F
- Beam Angle: 93°, 40°
- Cable: Input Connect, No Cable

### Dimensions



### Accessories

ANT-5-4T	Bi-level microwave Sensor field plug and play
ANT-5-4T-BLE	Bluetooth Microwave Sensor field plug and play
ANT-6-4T	PIR Motion Senso field plug and play
RC-100	Adjustable Via handheld wireless configuration handheld remote
SB-EMS8W27-XX	Facotry installed 8W Emergency Battery Backup
SB-EMS15W27-XX	Facotry installed 15W Emergency Battery Backup
SB-EMS20W27-XX	Facotry installed 20W Emergency Battery Backup
SB-LHB-1.4FT	Wire guard for 1.4FT Linear high bay
SB-LHB-1.9FT	Wire guard for 1.9FT Linear high bay
SB-LHB-2.6FT	Wire guard for 2.6FT Linear high bay
SB-LHB-3.7FT	Wire guard for 3.7FT Linear high bay
Kit-LHBG2	Surface Mount Kit

### Model Information

Example: LHB-1.4F100/115/135W27-45K-M-G2

Products Series	Size	Wattage	Voltage	CCT	Control E	Update
LHB (Linear Hig Bay)	1.4F (1.4-feet)		27 (AC120-277V)	45K - (4000K/5000K)	M Motion Sensor	G2 Second generation product
	1.9F (1.9-feet)					
	2.6F (2.6-feet)	100W - (100W) 115W - (115W) 135W - (135W)				
	3.7F (3.7-feet)	155W - (155W) 185W - (185W) 200W - (200W)				
		200W - (200W) 230W - (230W) 270W - (270W)				
		270W - (270W) 340W - (340W) 400W - (400W)				





LED OUTDOOR LIGHTING

**T5 Area/Parking Lot Light**



**SB Area/Parking Lot Light**



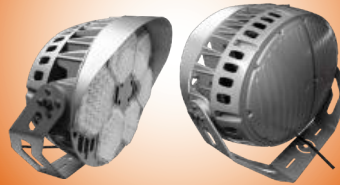
**T4 Street Light**



**FL Flood Light**



**Stadium Light**



**UPGC Uplight Canopy**



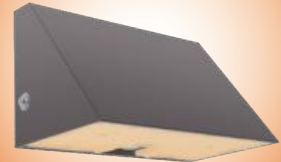
**CPS Canopy**



**PGC Canopy**



**AFW 28W-120W Architectural Wall Pack**



**AFW 12W-30W Architectural Wall Pack**



**Architectural Mini Wall Pack**



**WPF Full Cutoff Wall Pack**



**WPT Half Moon Wall Pack**



**GWP Glass Wall Pack light**



**Vapor Tight**

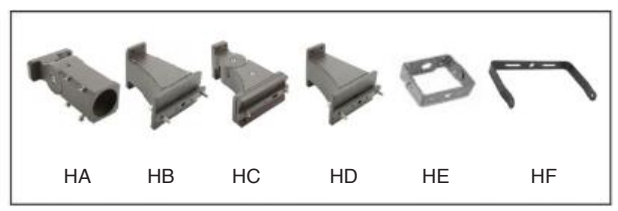
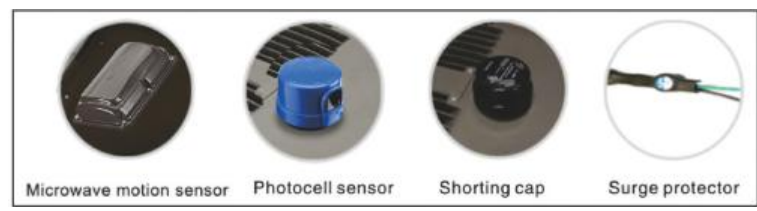


# T5 Area/Parking Lot Light

100W / 150W / 200W / 300W



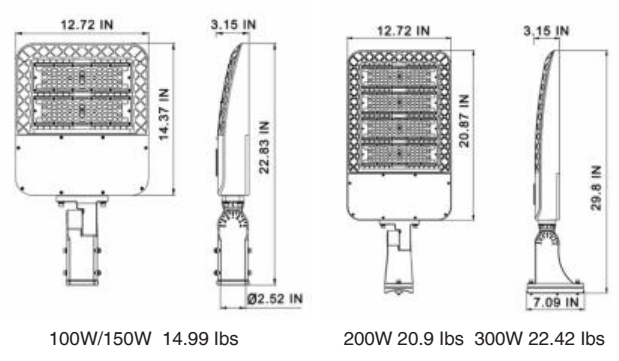
- Die Cast Aluminum Housing
- Efficiency: Up to 130 LPW
- Input Voltage: 100-277V or 200-480V
- 1-10V Dimmable
- Input Power: 100W, 150W, 200W, 300W
- CCT: 3000K, 4000K, 5000K
- ETL/cETL, DLC and DLC Premium, IK08, Wet Location Listed
- CRI >80
- Limited Warranty: 5 Years
- Operating Temperature: -40°F to 113°F
- Optics Distributions of Type II, III, V
- Power Factor > 0.95
- Daylight Dimmable Motion Sensor and Photocell Available
- Light Shield Available



## Accessories

<b>Mounting</b>	SB-HA	A: Slip Fitter
	SB-HB	B: Arm Fitting
	SB-HC	C: Adjustable Angle Arm - Round Pole Mount
	SB-HD	D: Adjustable Angle arm Square Pole /Wall Mount
	SB-HE	E: Trunnion Mount
	SB-HF	F: U-Bracket
<b>Options</b>	SB-JL-205C	Photocell 100-277V
	SB-JL-205C-1	Photocell 480V
	SB-T5/7PR	7 Pin Nema Receptacle
	SB-P	20KV Surge Protector
	SB-T5/SHIELD-A	Backlight Shield for 100W, 150W
SB-T5/SHIELD-B	Backlight Shield for 200W, 300W	

## Dimensions



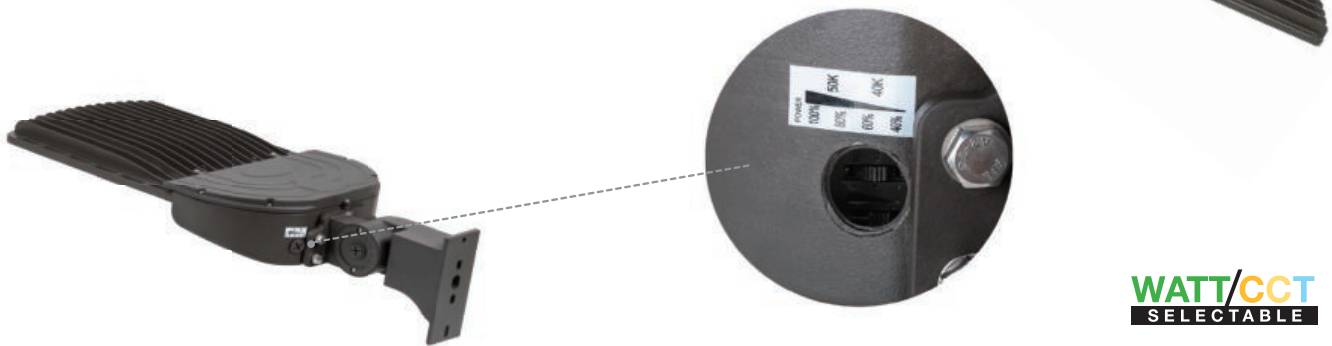
## Model Information

Example: SB-T5-10WL-D-302

Products Series	Wattage	Voltage	Options	Function	Kelvin	Distribution
SB-T5	10W = 100W 15W = 150W 20W = 200W 30W = 300W	L = 100-277V T = 277-480V	L = Photocell M = Motion sensor Blank = No Sensor	D = 1-10V Dimmable (Standard) Blank = Non-Dimmable	30 = 3000K 40 = 4000K 50 = 5000K	2 = type 2 3 = type 3 5 = type 5

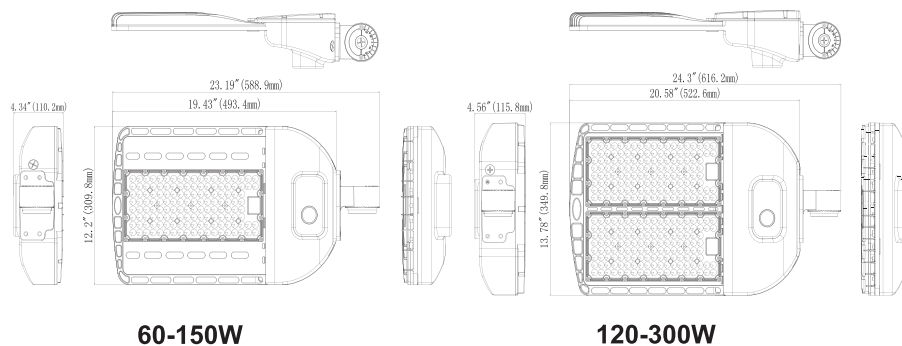


- Field Selectable Kelvin temp & Wattage
- Optical design, greatly improved the light utilization and evenness
- High efficiency LED Driver, voltage AC120-277V/200-480V
- Cast Aluminum design, better cooling, light quality, LED Tj <85°C
- Photocell Control & Motion Sensor (Optional)
- 1-10V dimming (10%-100%) standard
- Input Power: 60W/90W/120W/150W; 120W/180W/240W/300W
- CCT:4000-5000K
- 5 years manufacturer warranty
- Compatible with most Lutron and Leviton dimmers
- UL Wet Location Listed



**WATT/CCT**  
SELECTABLE

## Dimensions



## Model Information

Example: SB691215W27-45-D-T2-S-P-M

Product	Power	Voltage	CCT	Finish Z	Light angle TN	Moun Light U	Control Y	Control E
SB (LED SHOEBOX)	691215 (60W/90W/120W/150W) 12182430 (120W/180W/ 240W/300W)	27 (AC120-277V)	45 (4000K/5000K)	D (Dark Bronze) W (White) B (Black) S (Silvery)	T2 (Type II) T3 (Type III) T4 (Type IV) T5 (Type V)	S (Slip fitter) T (Trunnion) A (Arm)	P Photocell M Motion Sensor	





# T4 Street Light

100W / 150W

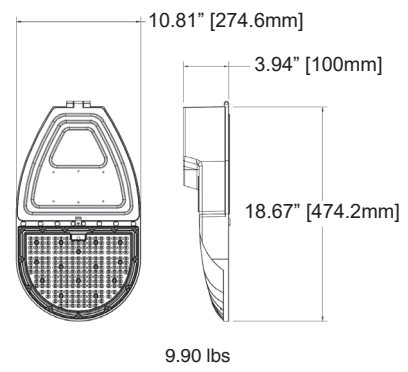


- Efficiency: Up to 115 LPW
- Delivered Lumens: Up To 17,367 lumens
- Input Power: 100W, 150W
- CCT: 3000K, 4000K, and 5000K
- Power factor > 0.95
- UL/cUL DLC Premium, FCC Wet Location Listed
- DLC color: 4000k, 5000k
- CRI: >80
- Input Voltage: 120-277V
- Limited Warranty: 5 Years
- 1-10V dimming, Photocell, motion sensor available
- Operating temperature: -40°C to 45°C, -40°F to 113°F
- Optional 20kV available.
- Optics distribution: 88°X138° type 3



100W / 150W

## Dimensions



## Accessories

Options	Code	Description
	SB-T4-AD	T4 Slip-fitter
	SB-20K	20kV surge Protection
	SB-PS	Photocell 100-277V

## Model Information

Example: SB-T410W2730-D

Products Series	Wattage	Voltage	Kelvin	Finish	Options
SB-T4	10W = 100W 15W = 150W	27=120-277	30K=3000K 40K=4000K 50K=5000K(standard)	D= Dark Bronze W= White G=Gray (standard)	Blank=1-10V DIMMING (standard)



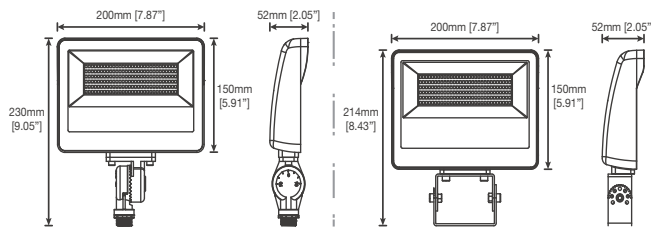
- Photocell Built in, field Selectable Kelvin temp & Wattage
- Optical design, greatly improved the light utilization and evenness
- High efficiency LED Driver, voltage AC120-277V
- Cast Aluminum design, better cooling, light quality, LED Tj <85°C
- 1-10V dimming (10%-100%) standard
- CCT:3000-5000K
- 5 years manufacturer warranty
- Compatible with most Lutron and Leviton dimmers
- UL Wet Location Listed, DLC Premium



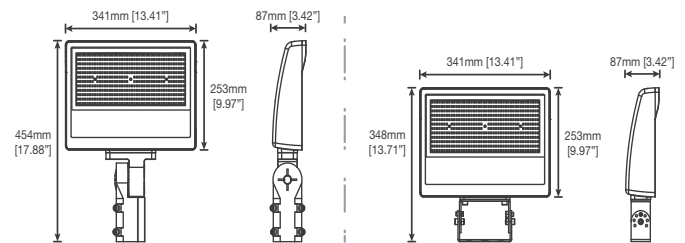
**WATT/CCT  
SELECTABLE**

### Dimensions

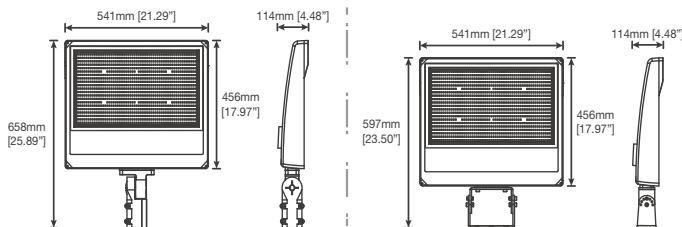
#### 35-60W:



#### 100-200W:



#### 240-450W:



### Accessories

FLU-Bracket-30W-60W	30W-60W Flood light U-Bracket
SB-FLU-Bracket-100W-450W	100W-450W Flood light U-Bracket

### Model Information

Example: SB-FL3556W27-345K-D-S-P

Company	Product	Power	Voltage	CCT	Finish	Mounlight	Control
SB-(SB LED INC)	FL LED FLOOD LIGHT	3556W (35W/50W/60W) 101520W (100W/150W/200W) 243545W (240W/350W/450W)	27 AC120-277V	345K 3K (3000K) 4K (4000K) 5K (5000K)	D (Dark Bronze) W (White) B (Black) S (Silvery)	S (Slip fitter) T (Trunnion) K (Knuckle)	P Photocell



# LED Stadium Eyes Light Series

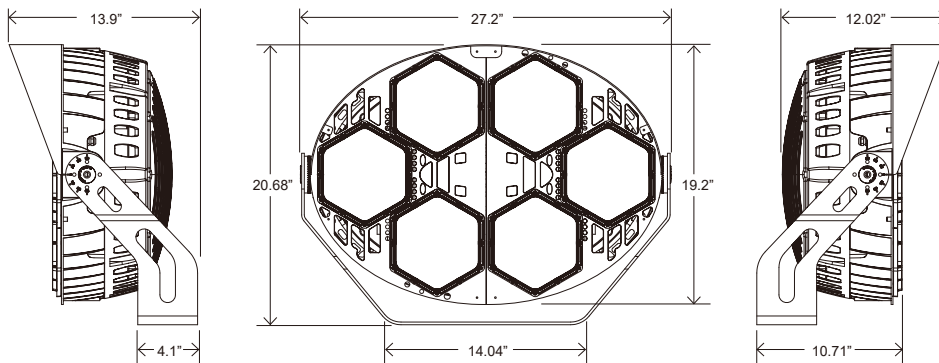
400W / 600W



- LED high luminous efficiency and long working life.
- High efficiency LED Driver, the wide range input voltage AC120-277V / 277-480V.
- Die-cast aluminum cooling design, high quality and better cooling for LED Tj < 85°C .
- Excellent optics design, greatly improve the light utilization and evenness.
- 12V auxiliary dimming/Dali dimming (Optional)
- Input Power: 400W, 600W
- CCT: 4000K, 5000K
- UL Wet Location Listed



## Dimensions



## Accessories

SB-SE-Slipfitter Slipfitter for Stadium light

## Model Information

Example: SB-SE40W27-40K-D-N3-S-L-SPD

Company	Product	Wattage	Voltage	CCT	Finish	Light angle	Mounlight	Control	Safety device
SB LED INC	SE (Stadium Eyes Light Series)	40W - (400W) 60W - (600W)	27 (AC120-277V) 48 (AC277-480V)	40K - (4000K) 50K - (5000K)	D-(Dark Bronze) W-(White) B-(Black) S-(Silvery)	N3-(Nema III) N4-(Nema IV) N5-(Nema V)	S-(Slipfitter) T-(Trunnion) Notice: Trunnion (Standard)	L-(Wireless Lighting Controller)	SPD-(Surge Protection Device)

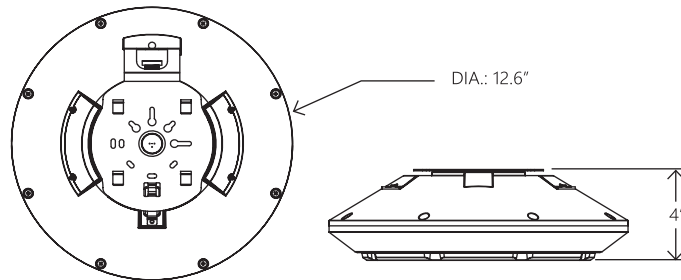


- Field Kelvin temp & Wattage selectable
- LED high luminous efficiency 140 lm/W up to 9,080 lm
- High efficiency LED Driver, the wide range input voltage
- AC120-277V
- Input Power: 28W, 42W, 56W, 70W
- CCT: 4000K, 5000K
- Die-cast aluminum cooling design, high quality and better cooling for LED  $T_j < 85^\circ\text{C}$
- Excellent optics design, greatly improve the light utilization and evenness
- Photocell, motion sensor control available (Optional)
- UL Wet Location Listed
- Uplight 11.4%, beam angle:  $156^\circ$



**WATT/CCT**  
SELECTABLE

## Dimensions



## Accessories

SB-EMS8W27-XX	Facotry installed 8W Emergency Battery Backup
SB-EMS15W27-XX	Factory installed 15W Emergency Battery Backup
SB-EMS20W27-XX	Facotry installed 20W Emergency Battery Backup
BR-1810-B-M8	Factory install Daylight Harvest Motion Microwave Sensor
RC-100	Adjustable Via handheld wireless configuration handheld remote
JL-413C	Factory install Photocell

## Model Information

Example: SB-UPGC2842567W27-45K-D-P

Company	Product	Wattage	Voltage	CCT	Finish	Control 1	Control 2
SB-LED INC	UPGC (Up Light Garage Canopy)	28W - (28W) 42W - (42W) 56W - (56W) 70W - (70W)	27 (AC120-277V)	45K 4K - (4000K) 5K - (5000K)	D - (Darkr Bronze) W - (White) B - (Black) S - (Silver)	P - (Photocell)	M - (Motion Sensor)



# CPS Canopy

26W-65W

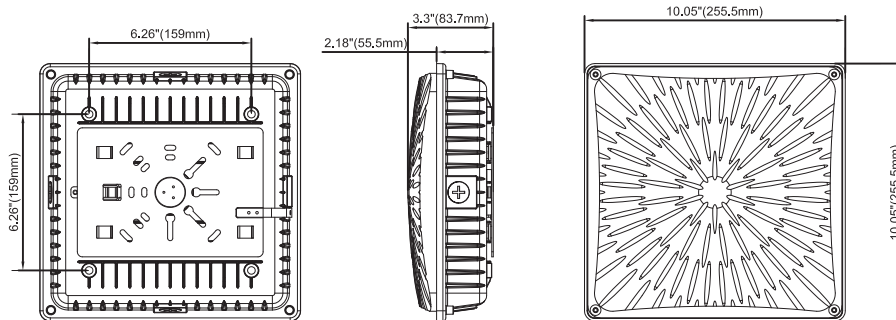


- Field Kelvin temp & Wattage selectable
- Efficiency: Up to 140 LPW
- Delivered Lumens: Up To 8,525 lumens
- Input Power: 26W/39W/52W/65W Field selectable
- CCT: 3000K/4000K/5000K Kelvin temp selectable
- Power factor > 0.95
- UL/cUL, FCC Wet Location Listed
- CRI: >70
- Input Voltage: 120-277V
- Limited Warranty: 5 Years
- 1-10V, Internal Motion sensor & Daylight step dimming Sensor available
- Beam angle: 118°



**WATT/CCT**  
SELECTABLE

## Dimensions



## Accessories

SB-PF	Field install Dusk to Dawn Photocell Switch 120-277V // JL-413C
SB-PF-B	Factory install Dusk to Dawn Photocell Switch 120-277V // JL-413C
SB-EBP-4W	Emergency battery back up 4W 90 minutes
SB-EBP-8W	Emergency battery back up 8W 90 minutes

## Model Information

Example: SB-CPS26395265W27-45K-D

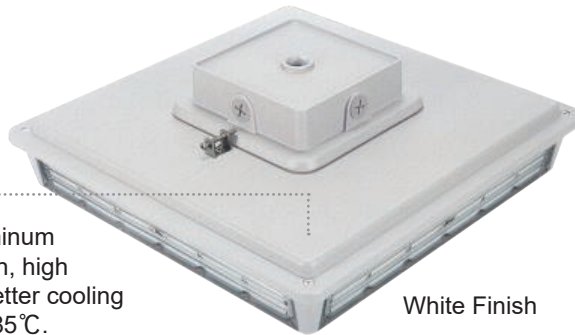
Products Series	Wattage	Voltage	Kelvin	Finish	Options
SB-CPS	26395265W=26W/39W/52W/65W Selectable	27=120-277(standard)	45K=4000K/5000K Selectable	D=Dark Bronze(standard) B=Black W=White S=Silver	Blank=1-10V DIMMING



- Lumileds LED, high luminous efficiency and long working life.
- High efficiency LED Driver, the wide range input voltage AC120-277V.
- Excellent optics design, greatly improve the light utilization and evenness.
- Motion sensor control available (Optional).
- 1-10V DC Dimming (Optional).
- Input Power: 45W, 70W
- CCT: 4000K, 5000K
- DLC, UL Wet Location Listed



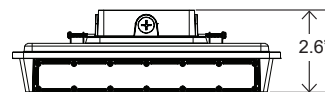
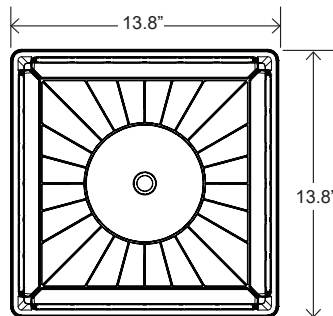
Side View



Die-cast aluminum cooling design, high quality and better cooling for LED  $T_j < 85^\circ\text{C}$ .

White Finish

## Dimensions



## Model Information

Example: SB-CPG-45W-27-50K-D-M

Company	Product	Wattage	Voltage	CCT	Finish	Control
SB LED INC	CPG Parking Garage Canopy	45W - (45W) 07W - (70W)	27 (AC120-277V)	40K - (4000K) 50K - (5000K)	D - (Dark Bronze) W - (White)	M - (Motion sensor)





# AFW LED Architectural Wall Pack

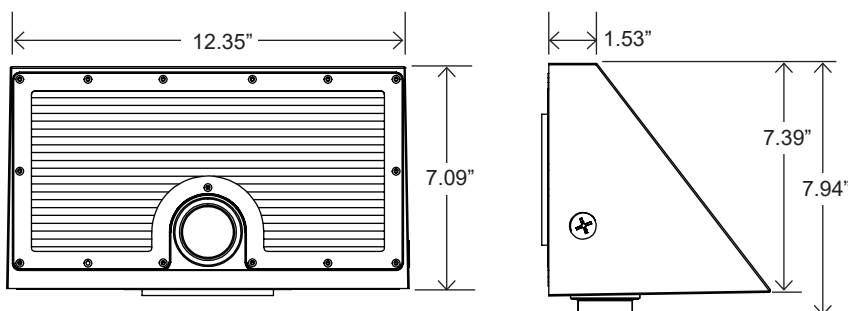
28W-120W



- Photocell built in, Field selectable Kelvin temp & Wattage
- Efficiency 170 lm/w, up to 17,000 lm
- High efficiency LED Driver, the wide range input voltage AC120-277V.
- Die-cast aluminum cooling design, high quality and better cooling for LED  $T_j < 85^\circ\text{C}$ .
- Type III:  $93.5^\circ \times 87.4^\circ$  (option) / Type IV:  $94.3^\circ \times 76.8^\circ$  (standard) / Type V:  $107.3^\circ \times 104.9^\circ$  (option)
- Photocell (Standard), Wireless bluetooth system and Motion sensor control available (Optional)
- 12Vdc auxiliary dimming
- The 1-10V Dimming type is continuous.
- Wet location, Bug rated
- 5 year limited warranty
- 28W/42W/56W/70W; 48W/72W/96W/120W
- CCT: 3000K, 4000K, 5000K



## Dimensions



## Accessories

ANT-5-4T	Bi-level microwave Sensor field plug and play
ANT-5-4T-BLE	Bluetooth Microwave Sensor field plug and play
RC-100	Adjustable Via handheld wireless configuration handheld remote
SB-EMS8W27-XX	Factory installed 8W Emergency Battery Backup
SB-EMS15W27-XX	Factory installed 15W Emergency Battery Backup
SB-EMS20W27-XX	Factory installed 20W Emergency Battery Backup

## Model Information

Example: SB-AFW-2842567W27-345K-D-T3-P-M

Company	Product	Wattage	Voltage	CCT	Finish	Distribution	Control 1	Control 2
SB-LED INC	AFW LED Architectural Wall Pack	2842567W - (28W/42W/56W/70W) 48729612W - (48W/72W/96W/120W)	27 (AC120-277V)	345K - (3000K/4000K/5000K) 45K - (4000K/5000K)	D - (Dark Bronze) W - (White) B - (Black) S - (Silver)	T3 - (Type III) T4 - (Type IV) T5 - (Type V)	P - (Photocell)	M - (Motion Sensor)

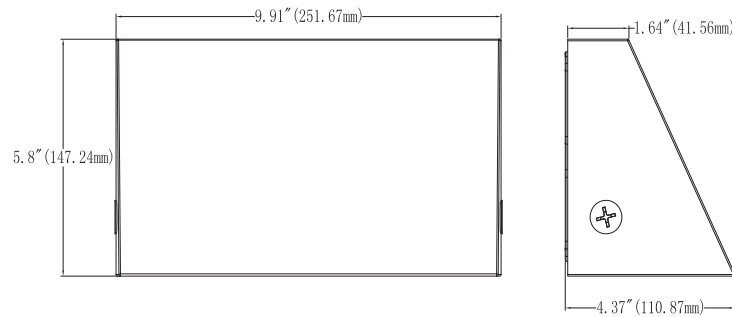


- Photocell built in, Field selectable Kelvin temp & Wattage
- Efficiency 140 lm/w, up to 3,900 lm
- High efficiency LED Driver, the wide range input voltage AC120-277V.
- Die-cast aluminum cooling design, high quality and better cooling for LED Tj < 85°C .
- Type V: 100.4 °X 91.6°.
- Photocell (Standard), Wireless bluetooth system and Motion sensor control available (Optional)
- The 1-10V Dimming type is continuous.
- UL Wet Location Listed, Bug rated
- 5 year limited warranty
- Input Power: 12W/18W/24W/30W
- CCT: 3000K, 4000K, 5000K



**WATT/CCT**  
SELECTABLE

## Dimensions



## Accessories

EMPK04E27-4W	Facotry installed 4W Emergency Battery Backup
BRI810-B-M7	Factory installed Microwave Motion Sensor
RC-100	Adjustable Via handheld wireless configuration handheld remote

## Model Information

Example: SB-AFW12182430W27-345K-D-P

Company	Product	Wattage	Voltage	CCT	Finish	Control 1	Control 2
SB-LED INC	AFW LED Architectural Wall Pack	12182430W (12W/18W/24W/30W)	27 (AC120-277V)	345K - (3000K/4000K/5000K)	D - (Dark Bronze) W - (White) B - (Black) S - (Silver)	P - (Photocell)	M - (Motion Sensor)



# LED Architectural Mini Wall Pack

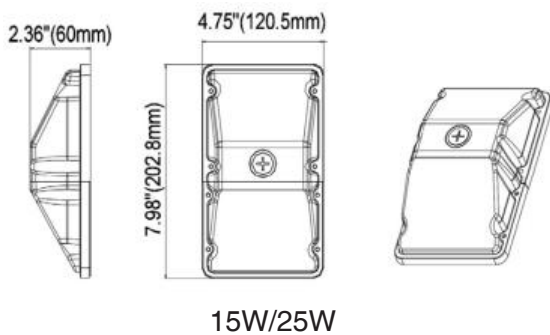
15W / 25W



- Photocell built in, Field selectable Kelvin temp
- Efficiency: Up to 150 LPW
- Delivered Lumens: Up To 3,570 lumens
- Power: 15W and 25W
- CCT: 3000K,4000K,5000K
- UL Wet Location Listed
- Warranty 5 years limited
- Beam angle: 112.4°X105.3°
- CRI: > 70
- Input Voltage 1-10v Dim is continuous, compatible with most
- Luton and Leviton Dimmers
- Limited Warranty: 5Years, 50,000-hour
- Operating temperature: -22°F to 113°F
- Power factor > 0.95
- Photocell standard built in with On/Off option
- 50,000 hours at 70% lumen maintenance rated life



## Dimensions



Packing size 1 pcs: 8.46”X5.12”X3.07” Weight: 1.75 LBS  
 Packing size 12 pcs: 21.46”X9.06”X11.22” Weight: 20.83 LBS  
 Packing size Pallet 480 pcs: 42”X48”X60” Weight: 820 LBS 40 CTN

## Model Information

Example: SB-WP015W27-345K-D-P

Series	Wattage	Voltage	Kelvin CCT	Finish	Control
SB-WP	015=15W 025=25W	27=120-277V	345K=3000K/4000K/5000K Factory Default Set: 4000K	D=Dark Bronze Standard W=White B=Black S=Silver	P=Photocell standard On/Off optional

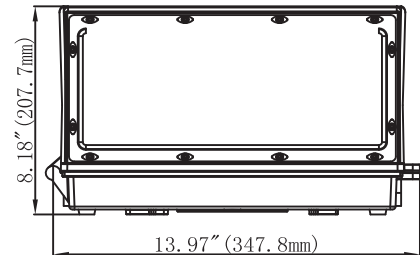
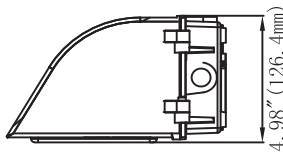


- Photocell built in, Field selectable Kelvin temp & Wattage
- Efficiency: Up to 140 LPW
- Delivered Lumens: Up To 9,800 lumens
- Power Selectable: 28W/42W/56W/70W
- Color selectable: 3000K/4000K/5000K
- Beam Angle: 99.5X77.6°
- UL Wet Location Listed, Bug rated
- CRI: >70
- Input Voltage: 120-277V
- Limited Warranty: 5 Years, 50,000-hour
- 1-10V dimming, Photocell built in, EM available



**WATT/CCT**  
SELECTABLE

### Dimensions



### Accessories

SB-EMS8W27-XX	Factory installed 8W Emergency Battery Backup
SB-EMS15W27-XX	Factory installed 15W Emergency Battery Backup
SB-EMS20W27-XX	Factory installed 20W Emergency Battery Backup

### Model Selection

Example: SB-WPF2842567W-27-345K-D-P

Products Series	Wattage	Voltage	Kelvin	Finish	Controls
SB-WPF	2842567W=28W/42W/56W/70W Selectable	27=120-277V	345K=3000K/4000K/5000K Selectable	D = Dark Bronze B = Black W = White S = Silver	P=1-10V dimming & Photocell built in



# WPT Half Moon Wall Pack

45W / 70W

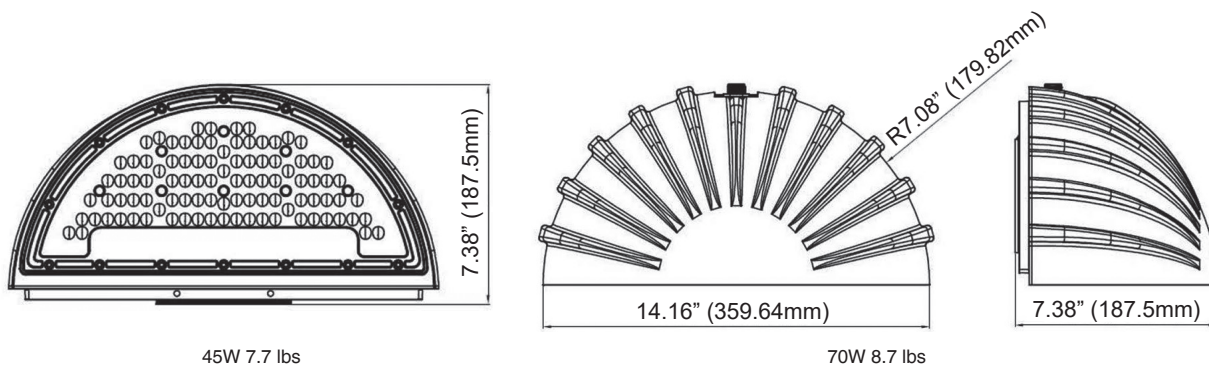


- Efficiency: Up to 115 LPW
- Delivered Lumens: Up To 17,367 lumens
- Input Power: 45W, 70W
- CCT: 3000K, 4000K, 5000K
- Power factor > 0.95
- UL/cUL Wet Location Listed, IP65
- Color: 4000k, 5000k
- CRI: >70
- Input Voltage: 120-277V
- Limited Warranty: 5 Years
- 1-10V dimming
- Operating temperature: -40°C to 45°C, -40°F to 113°F
- Optional 20kV available.
- Optics distribution: 88°X138° type 3



45W / 70W

## Dimensions



## Accessories

SB-P	Field install Dusk to dawn Photocell
SB-PF	Factory installed Dusk to dawn Photocell
SB-EBP/4W	Factory installed 8W Emergency Battery Backup
SB-EMS8W27-XX	Factory installed 8W Emergency Battery Backup

## Model Information

Example: SB-WPT45W27-50-B

Products Series	Wattage	Voltage	Kelvin	Finish	Options
SB-WPT	45W=45W 07W=70W	27=120-277	30=3000K 40=4000K 50=5000K(standard)	B=Black D=Dark Bronze (standard) W= White S=Silver	Blank=1-10 Dimming standard

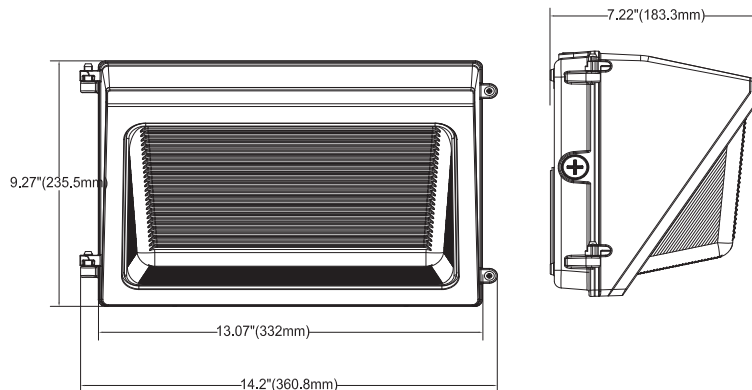


- Photocell built in, Field selectable Kelvin temp & Wattage.
- High efficiency LED Driver, the wide range input voltage AC120-277V.
- Die Cast aluminium cooling design, high quality and better cooling for LED  $T_j < 85^\circ\text{C}$ .
- Excellent Optics design, greatly improve the light utilization and evenness.
- The 1-10V Dimming type is continuous.
- High Efficiency 150 lm/W, up to 16,767 lm.
- UL rated wet location, Bug rated
- CRI: >70
- 5 year limited warranty
- Input Power: 28W, 42W, 56W, 70W and 48W, 72W, 96W, 120W
- CCT: 3000K, 4000K, and 5000K

**WATT/CCT**  
SELECTABLE



## Dimensions



## Accessories

SB-EMS8W27-XX	Factory installed 8W Emergency Battery Backup
SB-EMS15W27-XX	Factory installed 15W Emergency Battery Backup
SB-EMS20W27-XX	Factory installed 20W Emergency Battery Backup

## Model Information

Example: SB-GWP2842567W27-345K-D-P-G2

Company	Product	Power	Voltage	CCT	Finish	Control	Update
SB LED INC	GWP LED Glass Wall Pack light	2842567W 28W/42W 56W/70W 48729612W 48W/72W 96W/120W	27 (AC120-277V)	345K - (3000K/4000K/5000K)	D - (Dark Bronze) W - (White) B - (Black) S - (Silver)	P - (Photocell)	G2 Second generation product





# Vapor Tight

2' 4' 8'



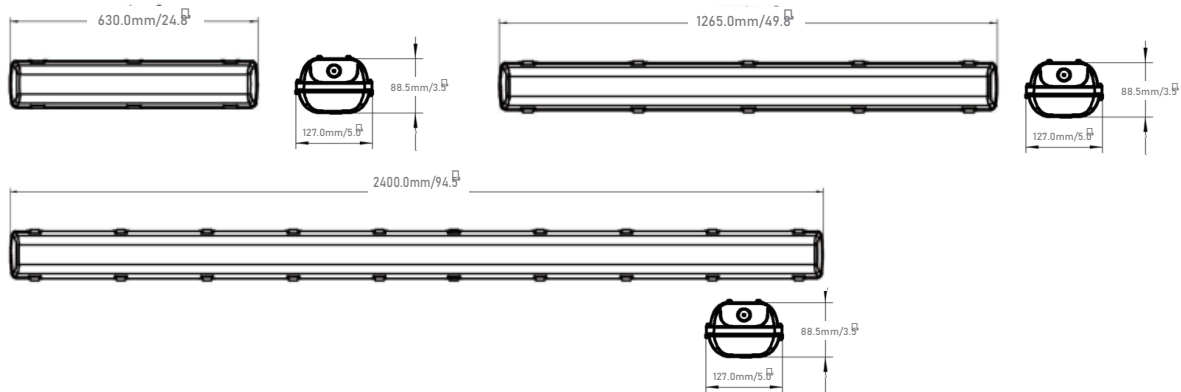
Vapor Tight Lighting

- Field selectable Kelvin temp & Wattage.
- Made of high quality ABS material, high ignition point, more safe.
- With PC lens.
- Lampshade-inner surface stripe design make the light diffusion angle greater and the light more uniform.
- 1-10V dimming.
- Input Power: 2 FT: 20W, 25W, 30W / 4 FT: 34W, 38W, 45W / 8 FT: 65W, 75W, 90W
- CCT: 3500K, 4000K, 5000K
- UL Wet Location Listed, 5 year limited warranty



**WATT/CCT**  
SELECTABLE

## Dimensions



## Accessories

SB-EMS8W27-XX	Factory installed 8W Emergency Battery Backup
SB-EMS15W27-XX	Factory installed 15W Emergency Battery Backup
SB-EMS20W27-XX	Factory installed 20W Emergency Battery Backup
BRI810-B-M10	Factory installed Microwave Motion Sensor
RC-100	Adjustable Via handheld wireless configuration handheld remote

## Model Information

Example: SB-VP2FT202530W27-3545K-G

Product	Product	Size	Wattage	Voltage	CCT	Kelvin
SB (SB LED INC)	VP (Vapor Tight)	2FT (2-feet)	202530W - (20W/25W/30W)	27 - (120-277V)	3545K - (3500K/4000K/5000K)	G - (Gray)
		4FT (4-feet)	343845W - (34W/38W/45W)			
		8FT (8-feet)	657590W - (65W/75W/90W)			

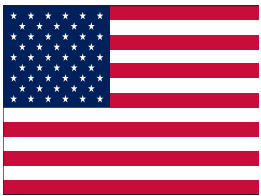




**SNOWBALL**  
LIGHTING INCORPORATED

**We invite you to join us for a much brighter future. We hope  
that our businesses will “Snowball” together!**





## **SNOWBALL LIGHTING INCORPORATED (USA)**

1555 Goodyear Dr. Suite A El Paso, TX 79936 USA  
T +1 915 227 7210  
E sales@snowball-inc.com  
www.snowball-inc.com

