



HBV Series Low Profile Low/middle/High Bay



DESCRIPTION

Snowball V Series LED Outdoor Low/Mid/High bay fixtures designed and manufactured of powder-coated aluminum, IP65 rated luminaire, provide an energy and cost efficient alternative to standard (HID) High Intensity Discharge or (HIF) High Intensity Fluorescent fixtures in warehouse and other interior high mount applications. These sleek LED luminaires are available with choice of reflectors, either 80° Aluminum reflector or without reflector, Various wattage range power of 100 watts to 240 watts and reflector types allow for complete customization of your specification application such as Warehouse, Gymnasium, Manufacturing, Canopy, Garage, Refrigerated areas.

OVERVIEW:

- Efficiency: Up to 145 LPW
- Input Power: 100W, 150W, 200W, 240W, 300W
- CCT: 3000K, 3500K, 4000K, 5000K and 5700K
- Power factor > 0.95
- ETL/cETL, UL, DLC Premium, Wet Location Listed, IP65
- CRI: >80
- Input Voltage: 100-277V or 200-480V
- Limited Warranty: 5 Years
- 1-10V dimming Standard, motion sensor available
- Beam 120°
- Operating temperature: -40°C to 45°C, -40°F to 113°F

SPECIFICATION FEATURES

Construction

Revolutionary vented thermal structure constructed of Magnesium Alloy improves heat dissipation and performance.

Thermal Management

The HBV series provides excellent thermal management by mounting the LEDs to the substantial heat sink of the housing. This enables the Luminaire to withstand higher ambient temperatures and driver currents without degrading LED life.

The lens has a UV filter with strong anti-impact properties that provides excellent weather resistance and protects against yellowing. 80° Aluminium reflector for more specification application

Electrical

LED driver and related electrical components are hard wired and mounted to the housing for optimal heat sinking and operating efficiency. 100- 277V Universal, 50/60Hz, 0-10V dimming driver is available to accommodate controls capability such as dimming and motion sensor step dimming. Operating temperature range of -40°C to 45°C, -40°F to 113°F

Versatile Mounting Options

- * 10' Aircraft Cable with Cable clip
 - * Bracket
- Specify control options when ordering.

Finish

All finishes are available in standard black and custom colors.

Warranty

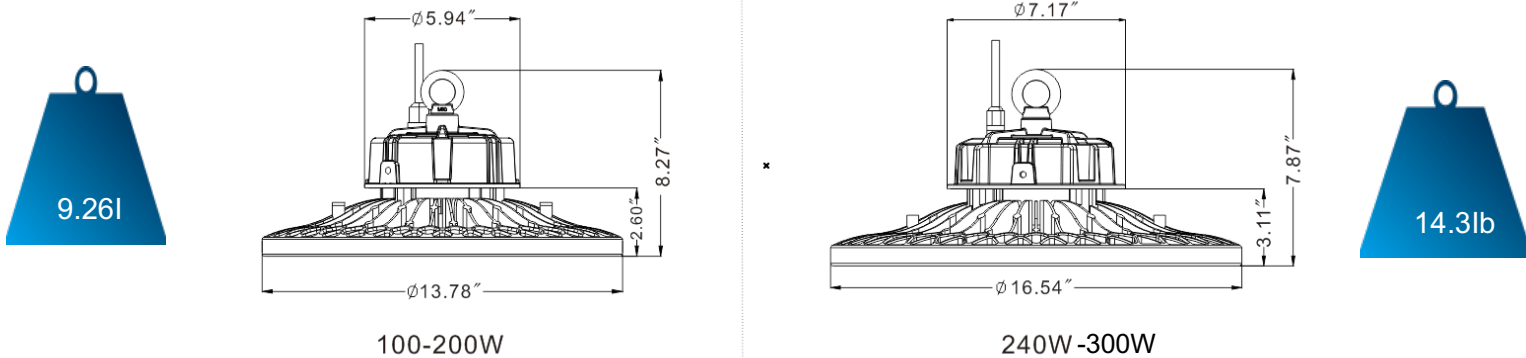
5-year warranty.

Optics

Choice of Aluminium reflector

Available in 3000K, 3500K, 4000K, 5000K or 5700K, 5000K is standard LED color temperatures (CCT) minimum 80 CRI

DIMENSIONS:



***MODEL SELECTION:**

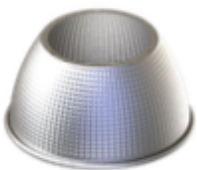
Example: SB-HBV-15W-RP-50

Products series	Wattage	Options	Diffuser	Kelvin
SB-HBV	10W=100W	*R=1-10V Diming (standard)	*P=480V	30=3000K
	*15W=150W		Blank=100-277V	35=3500K
	20W=200W			40=4000K
	24W=240W			*50=5000K (standard)
	30W=300W			

ACCESSORY ORDERING:

ACCESSORIES	MODEL NUMBER	DESCRIPTION
Mounting	SB-ACC	10' Aircraft Cable with Cable clip
Housing	SB-HBV-HA	Aluminum Lens for 100w, 150w,200w
	SB-HBV-HB	Aluminum Lens for 240w
	SB-HBV-B	Bracket
	SB-HBV-SA	V high bay prismatic cover for 100w,150w, 200w
	SB-HBV-SB	V high bay prismatic cover 240W
	SB-HBV-SA-B	V high bay prismatic cover + bottom cover for 100w,150w, 200w
	SB-HBV-SB-B	V high bay prismatic cover + bottom cover for 240w with bottom cover

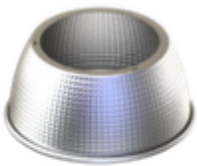
Reflectors



AL Reflector for 100W-200W



PC Reflector for 100W-200W

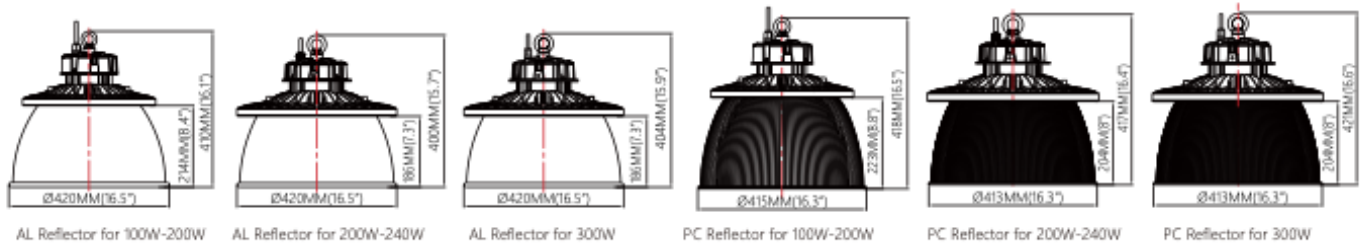


AL Reflector for 200W-300W



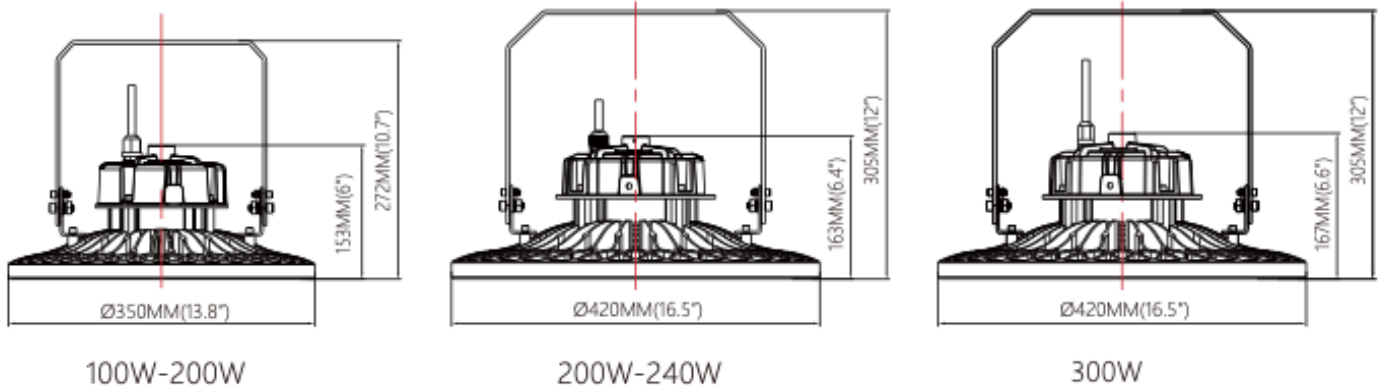
PC Reflector for 200W-300W

Unit:MM/INCH



U-Bracket :

Unit:MM/INCH



Installation Method:



LUMEN OUTPUT

GENERAL PERFORMANCE		LUMEN 100-277V	DLC PREMIUM YES/NO 100-277V
100W	3000K	14500	YES
	3500K		YES
	4000K		YES
	5000K		YES
150W	3000K	21750	NO
	3500K		NO
	4000K		NO
	5000K		YES
200W	3000K	29000	NO
	3500K		NO
	4000K		NO
	5000K		YES
240W	3000K	34800	YES
	3500K		YES
	4000K		YES
	5000K		YES
300W	3000K	43500	No
	3500K		No
	4000K		No
	5000K		No

PHOTOMETRIC SPECIFICATIONS

