



Model Number: SB-G-R4"-9W-CCT

3000K, 4000K, 5000K Field selectable Gimbal

OVERVIEW:

- Efficiency: Up to 75 LPW
- Delivered Lumens: Up To 675 lumens
- Input Power: 9W
- CCT Selectable: 3000K / 4000K / 5000K
- Power Factor > 0.95
- ETL Damp Location Listed
- White finish

R4 Field color selectable Gimbal Light

DESCRIPTION

The R4" Field Color Selectable LED Gimbal Light, utilizing an aluminium frame, side emitting design and high transmittance light guide plate, provides uniform light distribution with color temperature consistency.

The R4" LED Gimbal are IC rated and no recessed can is required saving time and installation cost.

The R4" LED Gimbal Light can be used anywhere a 4" recessed down light is desired. As a retrofit or new install.



SPECIFICATION FEATURES

Construction

High-grade aluminum frame. Isolated driver box, ultrathin design and long life SMD chips.

Thermal Management

The R4" series frame is constructed of high-grade aluminum acting as a large surface area heat sink that greatly improves heat dissipation and performance.

This enables the Luminaries to withstand higher ambient temperatures without degrading LED life.

Electrical

LED driver and related electrical components are hard wired and mounted to the housing for optimal heat sinking and operating efficiency.

120vac 50/60Hz, Triac dimming
Operating Temperature range of, -40°F to 104°F

Mounting Options

* Direct install in ceiling. IC rated

Compliance

ETL, Damp location listed, LED modules comply with IESNA LM-79 and LM-80 standards.

Finish

Powder Coat finish to promote maximum adherence and finish hardness Fixtures come in standard White.

Warranty

5-year limited warranty.

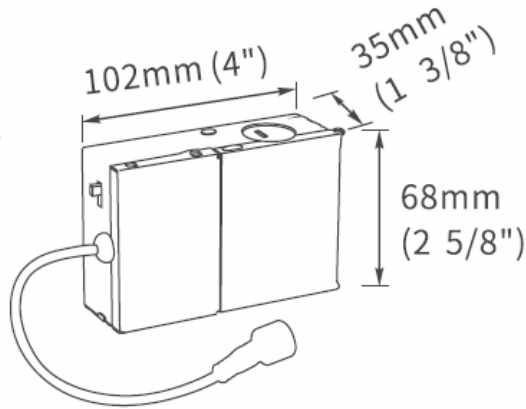
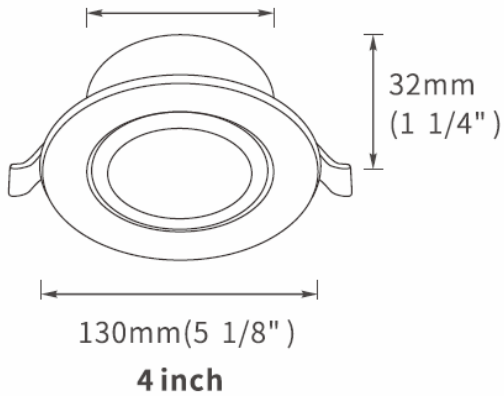
Optics

High transmittance light guide plate and edge lit SDM chips provide bright and uniform light distribution.

Available in 3000K, 4000K, or 5000K LED color temperatures (CCT) Selectable, minimum 80 CRI

DIMENSION & WEIGHT

88.9-108mm (3.5 to 4 1/4")



MODEL SELECTION:

Example: SB-R4"-9W-CCT

Product Series	Wattage	Voltage	Kelvin	CRI
*SB-G-R4" -9W	Blank=9W	Blank=100-277V	*CCT=3000K/4000k/5000k	Blank = CRI 80 (Standard)

ACCESSORY ORDERING:

Item Accessory	PICTURE	MODEL NUMBER	DESCRIPTION
Option		SB-EBP/5W/B	Factory installed Remote Emergency Battery Pack 5W 90 minutes

LUMEN OUTPUT

GENERAL PERFORMANCE		
WATTAGE	KELVIN ± 10%	DELIVERED LUMEN ± 10%
9W	3000K	675
	4000K	
	5000K	