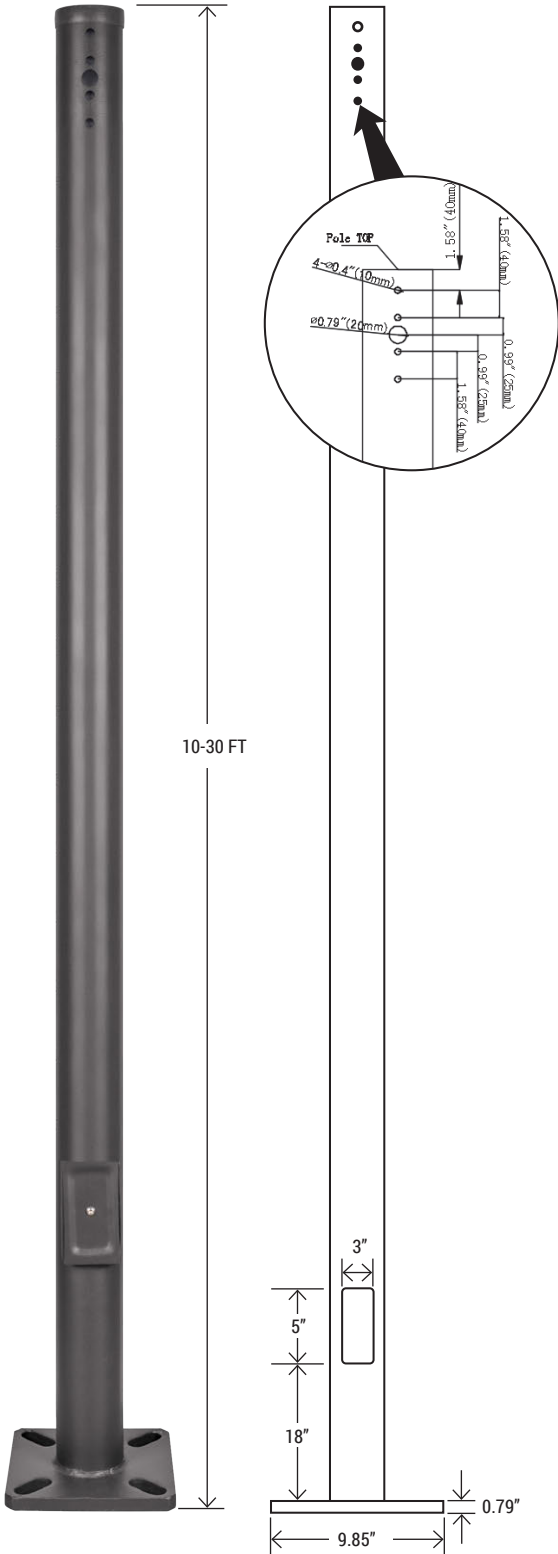


# Straight Round Steel Poles

Size: 3" (3" dia.), 4" (4" dia.), 5" (5" dia.)

**(NOTE: BASE COVER, ANCHOR KIT, POSITION PLATE & ACCESSORIES SOLD SEPARATELY)**



The Series Straight Round Steel poles are built from high strength steel tube and are available side drilled for arm mounted area lighting luminaires or with tenon mounts for flood and post top luminaires. Typical area lighting applications include retail centers, industrial parks, schools and universities, public transit and airports, office buildings and medical facilities. Mounting heights of 10 to 30 feet can be used based on selected luminaire application.

## FEATURES

### FINISH:

Textured architectural bronze powder-coat finish, baked to ensure maximum paint adhesion, hardness and durability.

### ANCHOR BOLTS:

Anchor bolts are not included, sized based on pole data charts for the selected pole size.

### HAND HOLE:

Cast iron reinforced hand hole and cover with ground screw.

### BASE COVER:

Poles are provided with a two-piece formed steel base cover that is easily assembled and fitted over pole base.

**SURFACE TREATMENT:** Hot-dip galvanizing.

### POLE LENGTH:

Poles are available in standard lengths as shown in the order matrix. Poles can be custom cut to order. Consult factory.

**SPECIFICATIONS:** Conforms to ASTM-A 500 Grade B: Minimum Yield Strength of 46,000 PSI.

SPECIFICATION	10FT	15FT	20FT	25FT	30FT
R10FT3-11G-D					
R15FT4-11G-D					
R20FT4-11G-D	L = 3.0 (m)	L = 4.6 (m)	L = 6.1 (m)	L = 7.6 (m)	L = 9.1 (m)
R25FT4-11G-D					
R30FT5-11G-D					

## MOUNTING OPTIONS



**SIDE MOUNT:** Standard length poles are predrilled (2@180°), with a polycarbonate top cover and hole plugs for unused predrilled locations.

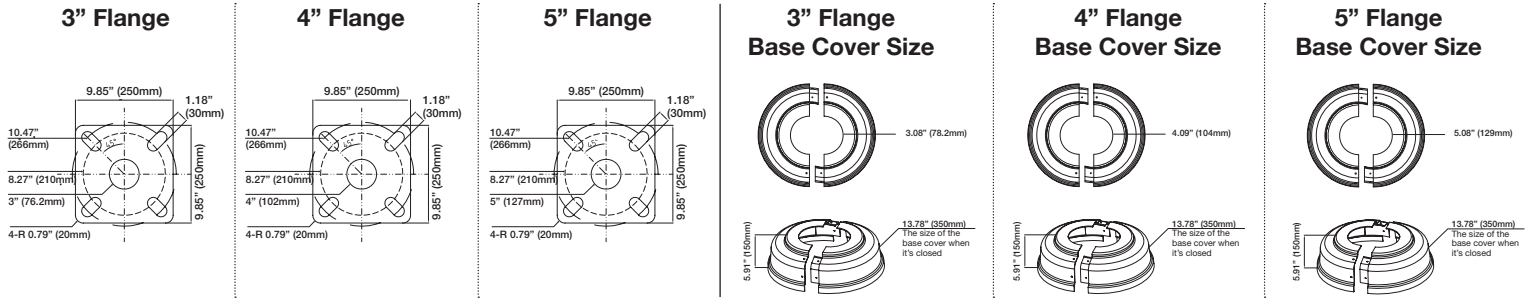
**Note:** When using Arm or Slip-Fitter Mounts, additional installation parts may be required to ensure proper installation. (example: Round Bar Adapter with Arm Mount or Horizontal Tenon Arc Adapter with Slip-Fitter Mount) *see: additional installation parts for more options*

**TOP MOUNT:** Round Pole Tenon Adapters (optional) can be installed for a use with a Slip-Fitter or Multi-Fixture installation requiring Bullhorns, Spokes etc. (3"RND, 4"RND and 5"RND to 2 3/8" Round Tenon Adapters available)

# Straight Round Steel Poles

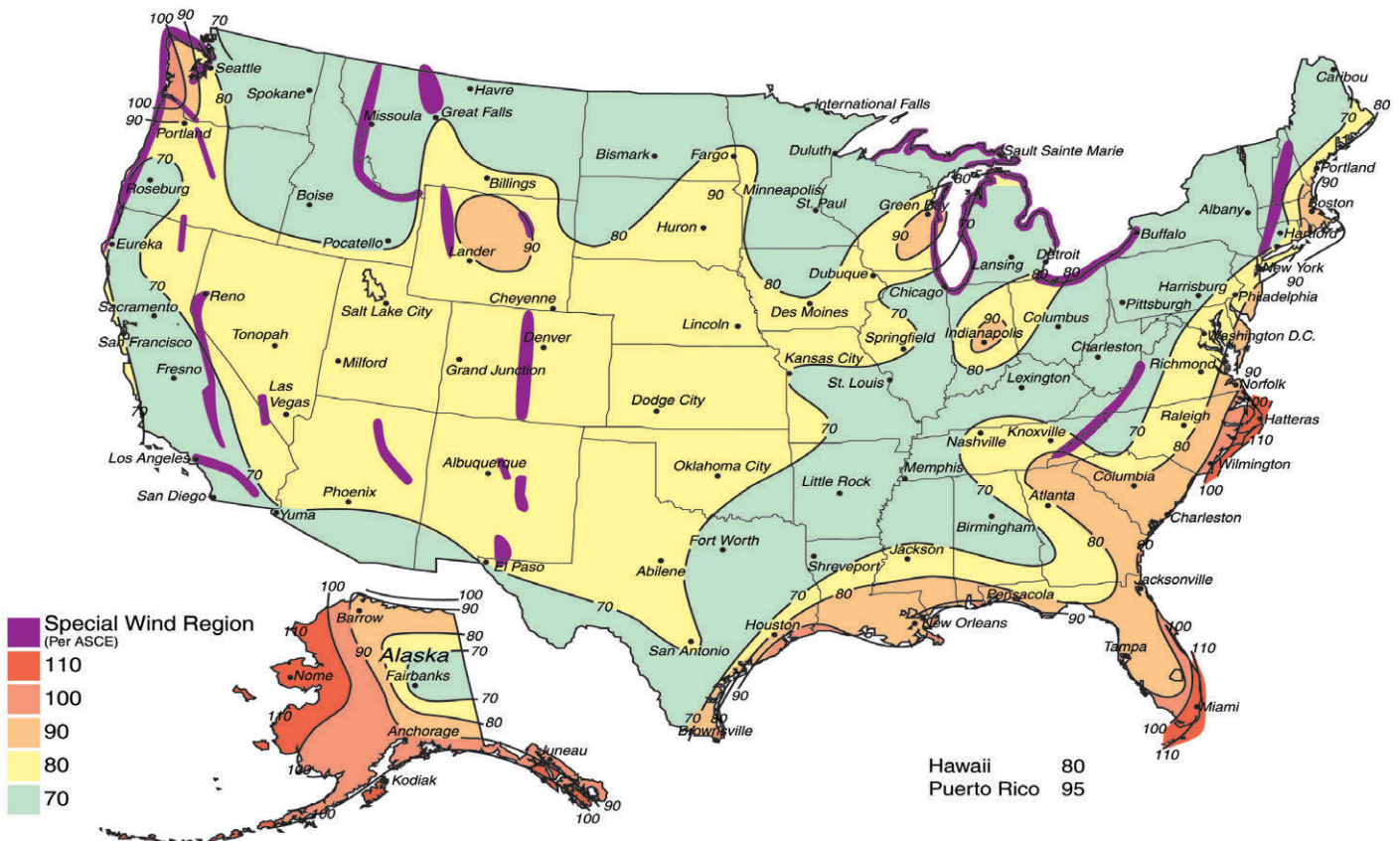
Size: 3" (3" dia.), 4" (4" dia.), 5" (5" dia.)

## DIMENSION



## DIMENSION DATA

CATALOG	HEIGHT	GAUGE	SIZE	BOLT SIZE	WEIGHT (LBS)	EPA 70	EPA 80	EPA 90	EPA 100	EPA 110	EPA 120
R10FT3-11G-D	10ft	11	3" dia.	M0.75"X 19.69"X 3.94"	72	28.2	23.5	20.1	11.4	13.3	11.6
R15FT4-11G-D	15ft		95		18.2	15.5	13.1	11.5	9.9	7.4	
R20FT4-11G-D	20ft		143		12.2	10.3	9	7.2	6	4.6	
R25FT4-11G-D	25ft		176		11.9	8.9	7.7	6.1	5.6	4.2	
R30FT5-11G-D	30ft		5" dia.	M0.75"X 19.69"X3.94" / M0.95"X 36"X4"	242	9.2	7.4	6.1	5.8	4.8	3.2



# Straight Round Steel Poles

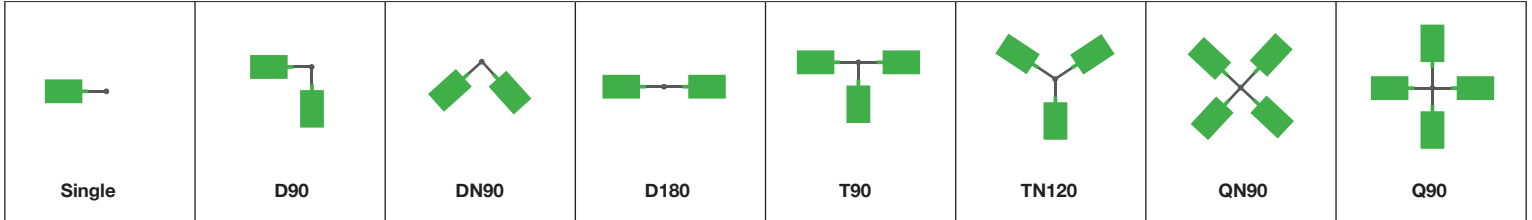
Size: 3" (3" dia.), 4" (4" dia.), 5" (5" dia.)

## ORDERING INFORMATION

EXAMPLE: **R10FT3-11G-D**

R	10FT	3	11G	D
<b>MOUNTING</b>	<b>HEIGHT</b>	<b>SIZE</b>	<b>THICKNESS</b>	<b>FINISH</b>
R - (Round Steel Pole)	10FT - (3.0 M) 15FT - (4.6 M) 20FT - (6.1 M) 25FT - (7.6 M) 30FT - (9.1 M)	3 - (3" diameter) 4 - (4" diameter) 5 - (5" diameter)	11G - (11 gauge)	D - (Dark Bronze)

## FIXTURE CONFIGURATIONS



## INSTALLATION

1. Dig a hole in the installation position of the lamp pole. Fixed four fastener fittings according to the hole position of lamp pole and poured with cement concrete. (as shown in the figure)

2. Install 4 screws onto the stick and adjust to same water level, then place the square plate and screw tightly. Install the cover at the bottom of pole. (as shown in the figure)

Foundation reference specification

**ANCHORAGE GUIDE**

9.85" (250mm)  
6.89" (175mm)  
9.85" (250mm)  
6.89" (175mm)

Set Screws

3"X5" HAND HOLE COVER

Pole  
Waterproof gasket  
Hand hole cover

Flange base cover  
Nut

BASE PLATE

BOLT PROJECTION  
(10-25FT) 3.15"  
(30FT) 3.94"

Base cover (4PCS)

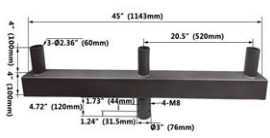
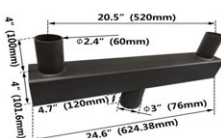
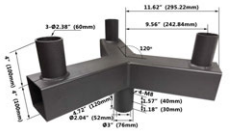
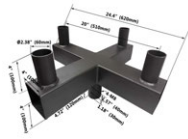
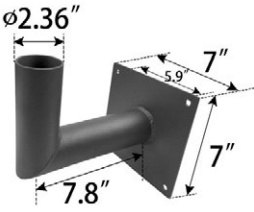
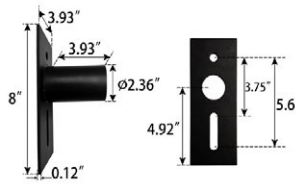
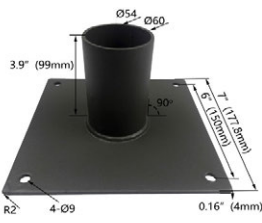
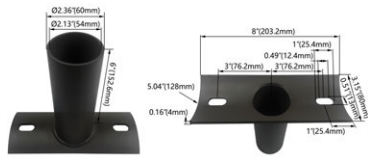
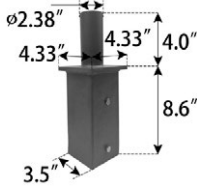
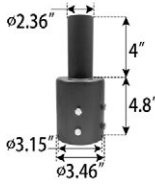
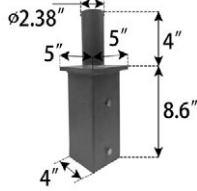


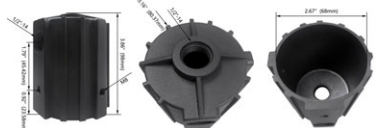
The screw to adjust water level

CONCRETE

Specifications	L	W	H
10-15FT	19.69"(500mm)	19.69"(500mm)	23.62"(600mm)
20-25FT	23.62"(600mm)	23.62"(600mm)	27.56"(700mm)
30FT	27.56"(700mm)	27.56"(700mm)	47.24"(1200mm)

# Straight Round Steel Poles

Size: 3" (3" dia.), 4" (4" dia.), 5" (5" dia.)

SQUARE EXTERNAL MOUNT HORIZONTAL TENON		• To mount 2/3/4 fixtures on an existing pole	
	<p><b>Low Profile Bullhorn with 3 Tenons</b>  <b>VTS4R-3T-D</b>                      MAX EPA: 1.6                      Finish: Dark Bronze                      The Bracket is designed to mount over 2-3/8" O.D. vertical tenon.</p>		<p><b>Low Profile Bullhorn with 2 Tenons</b>  <b>VTS4R-2T-D</b>                      MAX EPA: 1.0                      Finish: Dark Bronze                      The Bracket is designed to mount over 2-3/8" O.D. vertical tenon.</p>
	<p><b>Triple 120° Horizontal Tenon Adapter</b>  <b>QT120-3T-D</b>                      MAX EPA: 1.4                      Finish: Dark Bronze                      The Bracket is designed to mount over 2-3/8" O.D. vertical tenon.</p>		<p><b>Quad 90° Horizontal Tenon Adapter</b>  <b>QT90-4T-D</b>                      MAX EPA: 1.6                      Finish: Dark Bronze                      The Bracket is designed to mount over 2-3/8" O.D. vertical tenon.</p>
WALL BRACKET • Attaches to any flat surface • Provides wiring access		MID-POLE TENON BRACKET	
	<p><b>90° Wall Mount Bracket with 2-3/8" O.D. Tenon</b>  <b>ADP2.5-90-D</b>                      MAX EPA: 0.6                      Finish: Dark Bronze                      The 90° wall mount bracket with 2-3/8" tenon attaches flood and area fixtures to almost any surface: wall, roof, or wood pole. Provides wiring access and a built-in 2-3/8" O.D. tenon to mount a fixture with our adjustable slip-fitter. Suggested 3/8" diameter bolts for mounting.</p>		<p><b>2-3/8" OD Horizontal Tenon Mid-Pole Bracket</b>  <b>ADP2.5-D</b>                      MAX EPA: 0.3                      Finish: Dark Bronze                      2-3/8" OD Horizontal Tenon Mid-Pole Bracket is designed to mount light fixture that is equipped with a adjustable slip-fitter onto a 2-3/8" OD horizontal tenon.</p>
	<p><b>180° Wall Mount Bracket with 2-3/8" O.D. Tenon</b>  <b>ADP2.5-180L3.9-D</b>                      MAX EPA: 0.5                      Finish: Dark Bronze                      The 180° wall mount bracket with 2-3/8" tenon attaches flood and area fixtures to almost any surface: wall, roof, or wood pole. Provides wiring access and a built-in 2-3/8" O.D. tenon to mount a fixture with our adjustable slip-fitter. Suggested 3/8" diameter bolts for mounting.</p>		<p><b>2-3/8" OD Horizontal Tenon Arc Adapter</b>  <b>ADP2.5-BAR5-D</b>                      MAX EPA: 0.3                      Finish: Dark Bronze                      For use with Round, non-tapered steel and aluminum poles. 2-3/8" OD Horizontal Tenon Mid-Pole Bracket is designed to mount light fixture that is equipped with a adjustable slip-fitter onto a 2-3/8" OD horizontal tenon.</p>
POLE BRACKET • For mounting one fixture on an existing pole			
	<p><b>4" Square Pole Mount with 2-3/8" O.D. Tenon</b>  <b>VTS4-D</b>                      MAX EPA: 0.3                      Finish: Dark Bronze                      For use with square, non-tapered steel and aluminum poles. Furnished with four 5/16" hex head stainless-steel bolts. Vertical tenon measures 2-3/8" O.D. and is made of steel tubing.</p>		<p><b>3" Round Pole Mount with 2-3/8" O.D. Tenon</b>  <b>VT3-D</b>                      MAX EPA: 0.3                      Finish: Dark Bronze                      For use with round, non-tapered steel and aluminum poles. Furnished with four 3/8" hex head stainless-steel bolts. Vertical tenon measures 2-3/8" O.D.</p>
	<p><b>5" Square Pole Mount with 2-3/8" O.D. Tenon</b>  <b>VTS5-D</b>                      MAX EPA: 0.3                      Finish: Dark Bronze                      For use with square, non-tapered steel and aluminum poles. Furnished with four 5/16" hex head stainless-steel bolts. Vertical tenon measures 2-3/8" O.D., and is made of steel tubing.</p>		<p><b>4" Round Pole Mount with 2-3/8" O.D. Tenon</b>  <b>VT4-D</b>                      MAX EPA: 0.3                      Finish: Dark Bronze                      For use with round, non-tapered steel and aluminum poles. Furnished with four 3/8" hex head stainless-steel bolts. Vertical tenon measures 2-3/8" O.D.</p>
	<p><b>5" Round Pole Mount with 2-3/8" O.D. Tenon</b>  <b>VT5-D</b>                      MAX EPA: 0.3                      Finish: Dark Bronze                      For use with round, non-tapered steel and aluminum poles. Furnished with four 3/8" hex head stainless-steel bolts. Vertical tenon measures 2-3/8" O.D., and is made of steel tubing.</p>		<p><b>1/2" Round Pole Mount with 2-3/8" O.D. Tenon</b>  <b>TADP2.5-1/2-D</b>                      MAX EPA: 0.3                      Finish: Dark Bronze                      For use with Round, non-tapered steel and aluminum poles. Vertical tenon measures 2-3/8" O.D., and is made of aluminum tubing.</p>


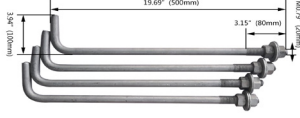
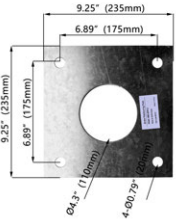
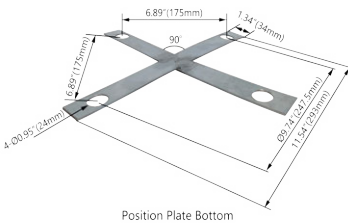
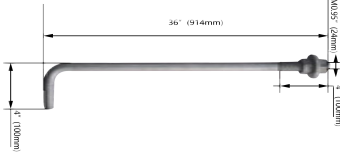
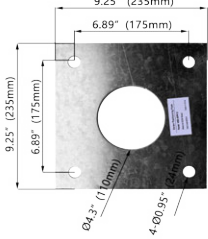
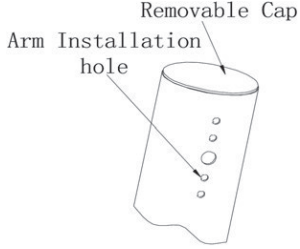




# Straight Round Steel Poles

Size: 3" (3" dia.), 4" (4" dia.), 5" (5" dia.)

## MOUNTING OPTIONS:

	<p><b>Arm Square Tube Turn Tube Tenon Adapter SADP-BAR-D</b> Finish: Dark Bronze Round tube light bar installation, with Arm installation of lamps.</p>		<p><b>Base Mounting Screw BMS-S</b> Before installing the lamp pole, the installation hook should be buried underground and fixed by cement. After fixing, the lamp pole should be fixed by locking screw and base installed.</p>
	<p><b>Anchor Bolt Positioning Plate SPP235</b> This is a screw rod positioning plate. After the screw rod of the lamp rod base is fixed underground, the positioning plate is fixed with the screw rod to prevent the screw rod from deviation. Finally, the lamp rod is locked.</p>		
<h2>30FT Light Pole Optional Accessories:</h2>			
 <p>Position Plate Bottom</p>	<p><b>Cross Screw Positioning Plate SPP235-BM24</b> This is a screw bottom cross positioning plate. It is used in conjunction with the top positioning plate WD-SPP235-TM24 and WSD-BM24SL914-S to fix the positioning plate with the screw to prevent the screw from deviating. Finally, the lamp pole locks.</p>		<p><b>Anchor Bolt BM24SL914-S</b> Before installing the lamp pole, the installation hook should be buried underground and fixed by cement. After fixing, the lamp pole should be fixed by locking screw and base installed. (It is used in conjunction with WSD-SPP235-BM24 and WD-SPP235-TM24).</p>
	<p><b>Anchor Bolt Positioning Plate SPP235-TM24</b> This is a screw rod positioning plate. After the screw rod of the lamp rod base is fixed underground, the positioning plate is fixed with the screw rod to prevent the screw rod from deviation. Finally, the lamp rod is locked. (It is used in conjunction with WSD-SPP235-BM24 and WSD-BM24SL914-S).</p>	<p><b>LIGHT POLE TOP</b></p>	 <p>Removable Cap Arm Installation hole</p>