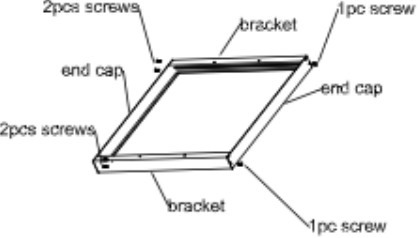
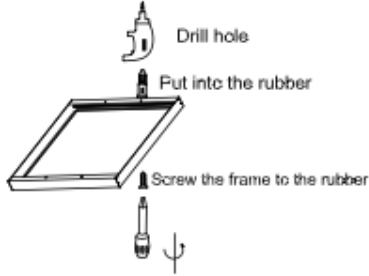

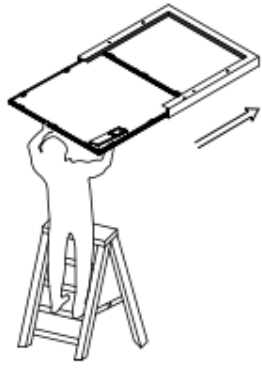
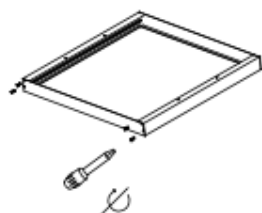
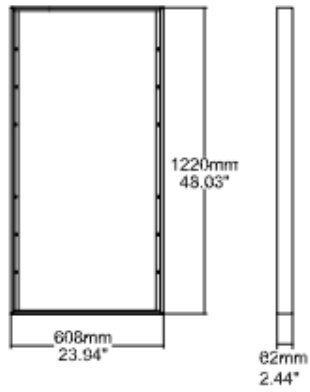
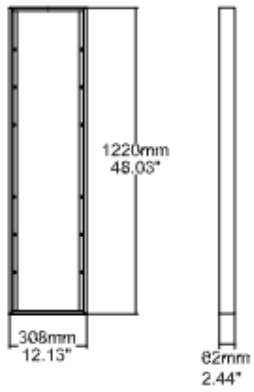
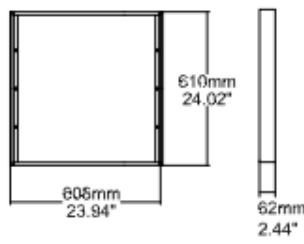
 <p>Screw: 6pcs/ 12pcs</p> <p>Screw: 8pcs</p> <p>end cap 2pcs</p> <p>bracket 2pcs</p>	 <p>2pcs screws</p> <p>end cap</p> <p>bracket</p> <p>1pc screw</p> <p>2pcs screws</p> <p>bracket</p> <p>1pc screw</p> <p>1. Fix the frame.</p>	 <p>Drill hole</p> <p>Put into the rubber</p> <p>Screw the frame to the rubber</p> <p>2. Fix the frame on the ceiling</p>
 <p>3. Take out the end cap which fixed with 2pcs screws</p>	 <p>4. Push the panel into the frame from the empty side</p>	 <p>5. Fix the end cap to the frame with 4pcs screws</p>
 <p>1220mm 48.03"</p> <p>608mm 23.94"</p> <p>62mm 2.44"</p> <p>For 2X4 LED flat panel</p>	 <p>1220mm 48.03"</p> <p>308mm 12.13"</p> <p>62mm 2.44"</p> <p>For 1X4 LED flat panel</p>	 <p>610mm 24.02"</p> <p>606mm 23.94"</p> <p>62mm 2.44"</p> <p>For 2X2 LED flat panel</p>