



SB/TP/F/2FT/20W/CW Field Color Selectable



OVERVIEW:

DESCRIPTION

The SB-TP CCT Vaportight series LED Luminaires, built from impact resistant polycarbonate and stainless steel clips, are ideal for harsh environmental applications. It combines waterproof, corrosion proof and dust proof protection with LED performance. Long life SMD chips provide high brightness, high lumen maintenance and excellent efficiencies in a vapor proof fixture.

Built in UV protection provides excellent weather resistance and protects against yellowing.

The SB-TP LED series is designed for general area lighting, cold storage, utility, stairwell lighting and harsh environments.

- Efficiency: Up to 130 LPW
- Delivered Lumens: Up To 2,600 lumens
- Input Power: 20W
- CCT: 3500K/4000K/5000K selectable
- Power factor > 0.93
- UL/cUL DLC, FCC Wet Location Listed
- Beam angle: 120°

- CRI: Minimum 83
- Input Voltage: 100-277V or 347V
- 0-10V dimming, step dimming and daylight motion sensor, emergency available
- Limited Warranty: 5 Years
- Operating temperature: -40°C to 45°C, -40°F to 113°F
- DLC Color: 3000k, 3500k, 4000k, 4500k, 5000k, 5700k

SPECIFICATION FEATURES

Construction

Constructed of impact resistant, UV protected polycarbonate body with stainless steel clips. Wet location, IP65 rating achieved utilizing outdoor rated gaskets and waterproof connectors.

Thermal Management

The SB-TP CCT series provides excellent thermal management using specially engineered modular design drawing heat away from critical components. This enables the Luminaires to withstand higher ambient temperatures without degrading LED life.

Electrical

LED driver and related electrical components are hard wired and mounted to the housing for optimal heat sinking and operating efficiency.

120- 277V or 200-480V 50/60Hz, 0-10V dimming driver is available to accommodate controls such as dimming and motion sensor step dimming. emergency available Operating temperature range of -40°C to 45°C, -40°F to 113°F

Mounting Options

Surface mounts or suspended mount clips are standard.

Compliance

cULus listed for Wet location -20°C- 45°C. DLC, lighting facts, Fcc listed, RoHS compliant and LED modules comply with IESNA LM-79 and LM-80 standards.

Finish

0.16" thick PC cover features a UV filter and provides excellent resistance against discoloring. Comes standard in white.

Warranty

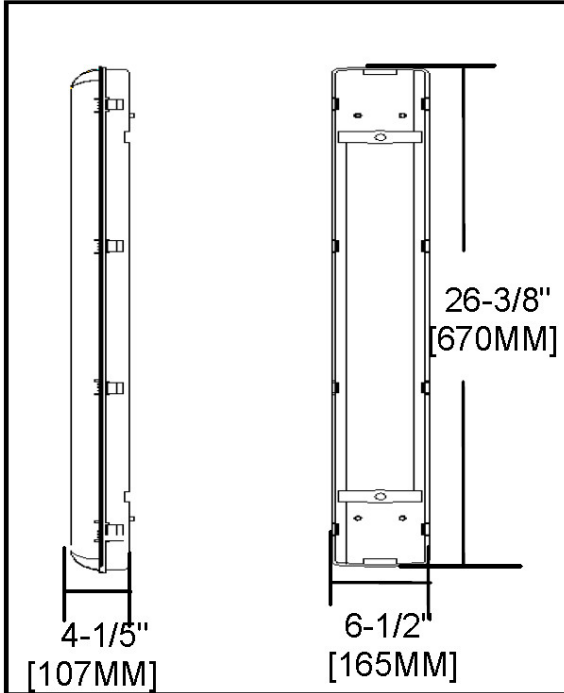
5-year limited warranty.

Optics

120° beam angle is perfect for uniformity.

Available in 3500K, 4000K, or 5000K LED color temperatures selectable by DIP Switch (CCT) minimum 83 CRI

DIMENSION



2FT: Individual Carton size: 27.36" x 6.89" x 4.53" 4.23IB 2FT: Outer carton size (6 pcs): 28:35" x 14.57" x 14.17" 27.561B

*** MODEL SELECTION:**

Example: SB/TP/F/2FT/20W/CW

Products series	Voltage	Cover	Length	Wattage	Kelvin
*SB/TP	*Blank=0-10v dim 120-277 (standard)	*F=Frosted (standard)	*2FT=2FT	*20W=20w	*CW=3000k/4000k/5000k Selectable

LUMEN OUTPUT

GENERAL PERFORMANCE		
Wattage	KEVIN ± 10%	DELIVERED LUMEN ± 10%
20W	3000K	2600
	4000K	
	5000K	