

SB-TP Series LED Tri-Proof light Installation Instructions

General Safety Information

- To reduce the risk of death, personal injury or property damage from fire, electric shock, falling parts, cuts/abrasions, and other hazards read all warnings and instructions.
- Read all instructions and warnings before installing, servicing, or performing routine maintenance on this equipment.
- Installation and electrical connections should only be performed by a qualified electrician and should be done following local electrical codes.
- DO NOT INSTALL DAMAGED PRODUCT!

WARNING: Risk of Electrical shock

- Turn off electrical power at breaker box, Lock/out-Tag/out breaker supplying power to fixtures prior to any work being performed.
- Confirm voltage of supplying breaker is same as fixture, see label on fixture.
- Prior to working on fixture or wiring, test with multimeter to confirm power is turned off.
- Make all electrical and grounded connections in accordance with the National Electrical Code and any applicable local code requirements.

WARNING: General

- Ensure the luminaries is switched off & suitably cooled down before carrying out any maintenance work.
- MIN 90 °C SUPPLY CONDUCTORS
- SUITABLE FOR OPERATION IN AMBIENT NOT EXCEEDING 40 °C
- SUITABLE FOR WET LOCATIONS
- All components in the luminaries shall not be replaced or serviced.
- THIS PRODUCT MUST BE INSTALLED IN ACCORDANCE WITH THE APPLICABLE INSTALLATIONS CODE BY A PERSON FAMILIAR WITH THE CONSTRUCTION AND OPERATION OF THE PRODUCT AND THE HAZARDS INVOLVED.
- CONSULT A QUALIFIED ELECTRICIAN TO ENSURE CORRECT BRANCH CIRCUIT CONDUCTOR

CAUTION: Risk of Injury

- Make sure fixture is installed using proper hardware and secured tightly. Follow installation instructions. Do not alter fixture in anyway.
- Wear gloves and safety glasses at all times when removing luminaire from carton, installing, servicing or performing maintenance.
- Avoid direct eye exposure to the light source while on.

CAUTION: Risk of Fire

- Keep combustible and other materials away from fixture and wiring.

SB-TP Series LED Tri-Proof light Installation Instructions

Installation: Suspended

This fixture can be mounted suspended or surface mounted.

Read page 1 of this instruction guide before proceeding.

1. Install the suspension cables mounting anchors. Make sure mounting hardware meets or exceeds requirements. For 2' fixtures, the mounting bolts should be 16" apart. For 4' fixtures, the mounting bolts should be 35.7" apart. **See Figure 1.**
2. Attach the suspension cables to the mounting bolts. **See figure 2,3.**
3. Attach fixture to suspension cables, check all mounting points and hardware to insure fixture is securely attached to ceiling. **See Figure 4.**
4. Make electrical connections to the fixture (Black/L-White/N-Green/Gnd) Make sure all connections are correct and properly secured. **See figure 5.**
5. Once complete test lights operation, test any optional sensors for complete system test.

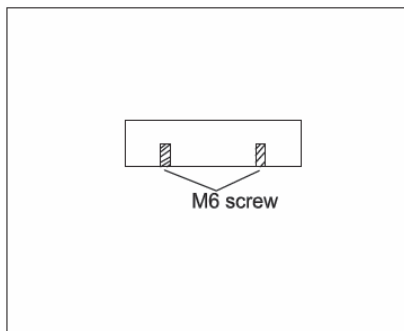


Figure 1.

2' fixture= 16" spacing
4' fixture= 35.7" spacing

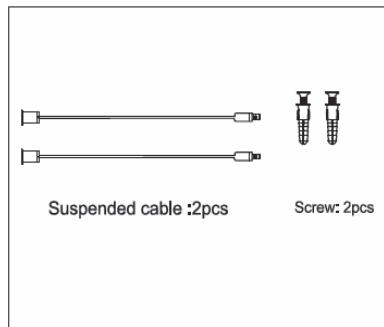


Figure 2.

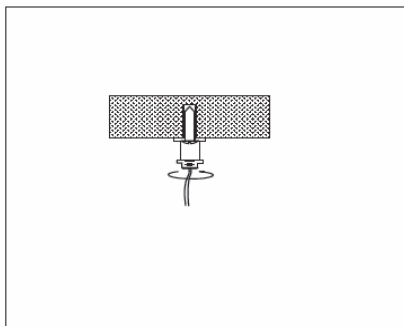


Figure 3.

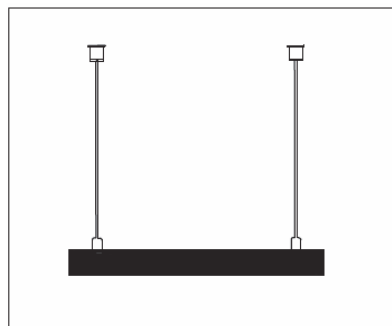


Figure 4.



Figure 5.

SB-TP Series LED Tri-Proof light Installation Instructions

Installation: Direct Surface Mount

Read page 1 of this instruction guide before proceeding.

1. Install the mounting brackets securely to mounting surface. Make sure mounting hardware meets or exceeds requirements. For 2' fixtures, the mounting brackets should be 16" apart. For 4' fixtures, the mounting brackets should be 35.7" apart. **See Figure 1,2.**
2. Attach fixture to mounting brackets, check all mounting points and hardware to insure fixture is securely attached. **See figure 3.**
3. Make electrical connections to the fixture (Black/L-White/N-Green/Gnd) Make sure all connections are correct and properly secured. **See figure 4.**
4. Once complete test lights operation, test any optional sensors for complete system test.

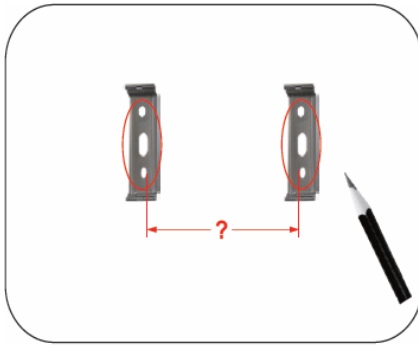


Figure 1.

2' fixture= 16" spacing
4' fixture= 35.7 spacing

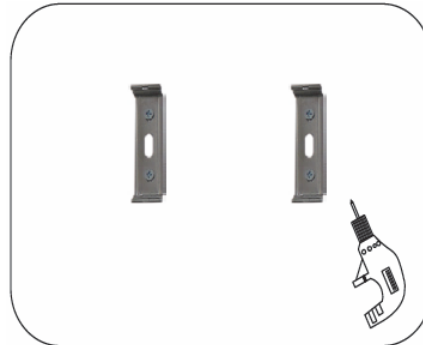


Figure 2.

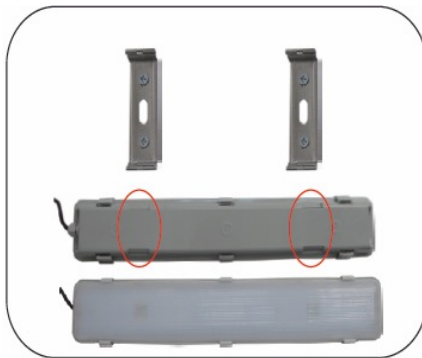


Figure 3.

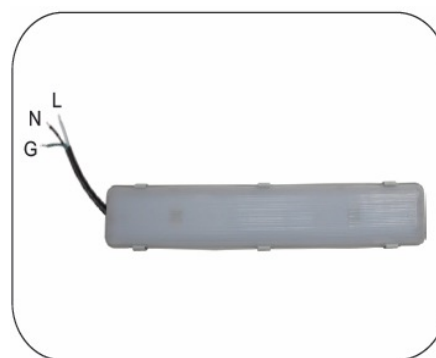


Figure 4.

SB-TP Series LED Tri-Proof light Installation Instructions

DIMENSION

SB-TP

20W

40W

