



SB-T2 LED Outdoor Street Light Luminares

OVERVIEW:

- Efficiency: Up to 130 LPW
- Delivered Lumens: Up To 26,000 lumens
- Input Power: 50W, 100W, 200W
- CCT: 3000K, 4000K, and 5000K
- Power factor > 0.90
- UL/cUL DLC, FCC Wet Location Listed, IP65
- EPA 50W= (1.15ft2), 100W= (1.51ft2), 200W= (1.20ft2)
- DLC Color 3000k, 3500k, 4000k, 5000k, 5700k

DESCRIPTION

The T2 LED Outdoor Street Luminares built with a high-grade aluminum body and vented thermal structure offers excellent heat dissipation and rugged construction. It combines LED performance using under driven LED chips and advanced LED drivers providing lighting that is both energy efficient and aesthetically pleasing.

An adjustable slip fitter mounting system allows for up to 150 degrees of vertical adjustment. Can be adjusted to serve as a flood.

The T2 LED series was designed for field and area parking, office complexes, street projects, and other general lighting projects.

- CRI: >70
- Input Voltage: 100-277V
- Limited Warranty: 10 Years, 100,000-hour life at 25c
- 0-10V dimming, Photocell, motion sensor available
- Operating temperature: -40°C to 45°C, -40°F to 113°F
- Optional 20kV available.
- Optics distributions 150° x 80° Type3

SPECIFICATION FEATURES

Construction

Revolutionary vented thermal structure constructed of die-cast aluminum greatly improves heat dissipation and performance. IP 65 is achieved by utilizing waterproof connections and sealed housings. The lens has a UV filter with strong anti-impact properties that provides excellent weather resistance and protects against yellowing.

Thermal Management

The T2 series, using a cross-ventilation system, provides excellent thermal management by mounting the LEDs to the substantial heat sink of the housing. This enables the Luminares to withstand higher ambient temperatures and driver currents without degrading LED life.

Electrical

LED driver and related electrical components are hard wired and mounted to the housing for optimal heat sinking and operating efficiency. 120- 277V, 50/60Hz, 0-10V dimming driver is available to accommodate controls capability such as dimming and motion sensor step dimming. Operating temperature range of -40°C to 45°C, -40°F to 113°F. Surge protection 10kV or 20KV available.

Versatile Mounting Options

- *Slip-fitter adjustable with leveling steps
- *Photo Receptacle.

Compliance

cULus listed for wet location -20°C- 45°C. DLC, lighting facts, Fcc listed, RoHS compliant and LED modules comply with IESNA LM-79 and LM-80 standards.

Finish

With a minimum of 3-5 millimeter thickness. Finish is oven-baked at 400 °F to promote maximum adherence and finish hardness. All finishes are available in standard white or custom colors are available.

Warranty

10-year warranty.

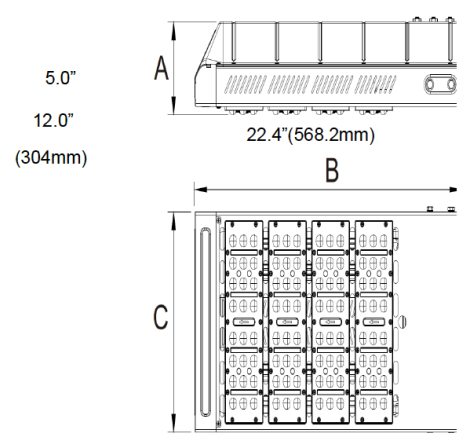
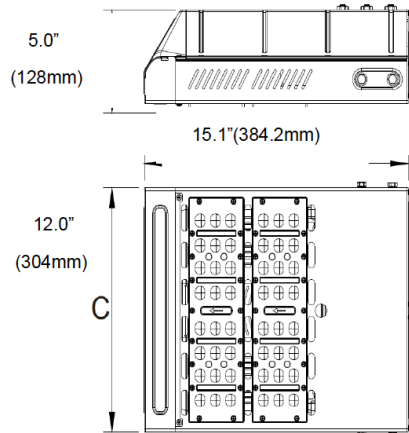
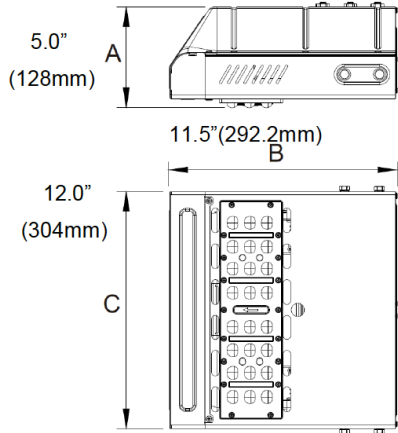
Optics

Choice of high-efficiency Optics distributions of 150° x 80° Optics are precisely designed to shape the light output, maximizing efficiency and application spacing.

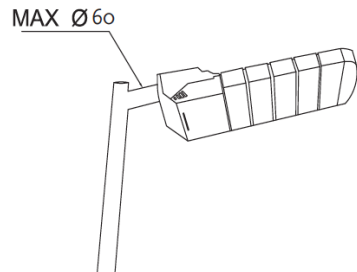
Available in 3000K, 4000K, 5000K LED color temperatures (CCT) minimum 70 CRI

DIMENSION

SB-ST/T2



SUITED POLE $\Phi 60\text{mm}(\Phi 2.4\text{in})$



Installation:

***MODEL SELECTION:**

Example: SB-ST/T2/50W/A/CW

Products series	Wattage	Mounting	Voltage	Options	Kelvin	Finish
SB-ST/T2	*50W=50W	*A=Slip-fitter (standard)	*Blank=120-277 (standard)	3D=0-10V dimming	WW=3000K	D= Dark Bronze
	100W=100W			*Blank=non-dimming (standard)	NW=4000K	W= White
	200W=200W				*CW=5000K(standard)	*Blank=Grey (standard)
						B=Black

ACCESSORY ORDERING:**SB-ST/T2**

ACCESSORY	MODEL NUMBER	DESCRIPTION
Options	SB-20K	20kV Surge Protection

Lumen Output

GENERAL PERFORMANCE		SB-ST/T2/50W	SB-ST/T2/100W	SB-ST/T200W
DISTRIBUTION	KELVIN	50W	100W	200W
150° x 80°(type 3)	3000K	5600	11500	23000
	4000K	5900	12000	24500
	5000K	6200	12550	26000