



4" Black Wafer Downlight

OVERVIEW:

Black Wafer Downlight

DESCRIPTION

The LED Wafer downlight, utilizing an aluminium frame, 0.51" ultrathin side emitting design and high transmittance light guide plate, provides uniform light distribution with Color temperature 3000K,4000K or 5000K.

The Wafer downlight are IC rated and no recessed can is required, saving time and installation cost.

The Wafer can be used anywhere a 4" recessed down light is desired. As a retrofit or new install.



- Efficiency: Up to 83 LPW
- Delivered Lumens: Up To 750 lumens
- Input Power: 9W
- CCT: 3000K, 4000K, 5000K
- Power factor > 0.95
- ETL Damp Location Listed
- Size 4"

- CRI: > 90
- Input Voltage: 100-277V Triac dimming
- Limited Warranty: 5 Years
- Triac dimming / line voltage dimming
- Operating temperature: -22°F to 113°F
- Beam angle: 120°, Edge lit.
- Black

SPECIFICATION FEATURES

Construction

High-grade aluminum frame. Isolated driver box, ultrathin design and long life SMD chips.

Thermal Management

The Wafer downlight series frame is constructed of high-grade aluminum acting as a large surface area heat sink that greatly improves heat dissipation and performance.

This enables the Luminaries to withstand higher ambient temperatures without degrading LED life.

Electrical

LED driver and related electrical components are hard wired and mounted to the housing for optimal heat sinking and operating efficiency. 100-277V 50/60Hz, Triac dimming

Mounting Options

* Direct install in ceiling. IC rated

Compliance

cULus listed for Damp location , ETL RoHS compliant and LED modules comply with IESNA LM-79 and LM-80 standards.

Finish

Powder Coat finish to promote maximum adherence and finish hardness Fixtures come in Black.

Warranty

5-year limited warranty.

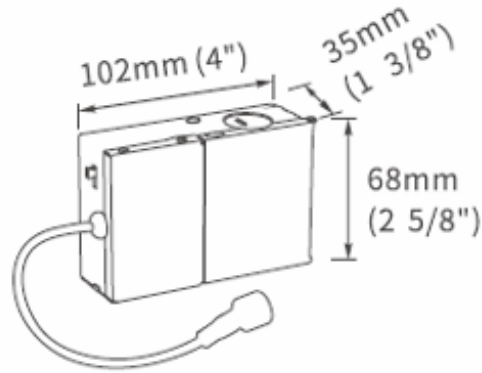
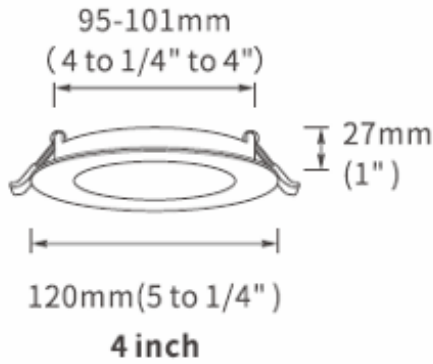
Optics

High transmittance light guide plate and edge lit SDM chips provide bright and uniform light distribution.

Available in 3000K, 4000K, or 5000K LED color temperatures, minimum 90 CRI

DIMENSION & WEIGHT

Hole cut: Ø4.0" (100mm)



MODEL SELECTION:

Product Series	Kelvin	Finish	CRI	Options
*SB-R4" -9W-DT	*WW=3000K	*B=Black	*9=CRI 90	Blank = 100-130V Traic dimming
	NW=4000K			
	CW=5000K			

ACCESSORY ORDERING:

Item Accessory	PICTURE	MODEL NUMBER	DESCRIPTION
Option		SB-EBP/5W/B	Factory installed Remote Emergency Battery Pack 5W 90 minutes

LUMEN OUTPUT

GENERAL PERFORMANCE		
WATTAGE	KELVIN ± 10%	DELIVERED LUMEN ± 10%
9W	3000K	726
	4000K	730
	5000K	750