

Model Number: SB-R4"-9W-CCT

3000K, 4000K, 5000K selectable Wafer

OVERVIEW:

- Efficiency: Up to 83 LPW
- Delivered Lumens: Up To 750 lumens
- Input Power: 9W
- CCT Color Selectable: 3000K, 4000K, 5000K
- Power factor > 0.95
- ETL Damp Location Listed
- White finish

4" Field color selectable Wafer Downlight

DESCRIPTION

The Field Color selectable LED Wafer downlight, utilizing an aluminium frame, 0.51" ultrathin side emitting design and high transmittance light guide plate, provides uniform light distribution with Color temperature 3000K,4000K, 5000K all in one light fixture easily and quickly to select Color by move the selector switch on the driver.

The Wafer downlight are IC rated and no recessed can is required, saving time and installation cost.

The Wafer can be used anywhere a 4" recessed down light is desired. As a retrofit or new install.



SPECIFICATION FEATURES

Construction

High-grade aluminum frame. Isolated driver box, ultrathin design and long life SMD chips.

Thermal Management

The Wafer downlight series frame is constructed of high-grade aluminum acting as a large surface area heat sink that greatly improves heat dissipation and performance.

This enables the Luminaries to withstand higher ambient temperatures without degrading LED life.

Electrical

LED driver and related electrical components are hard wired and mounted to the housing for optimal heat sinking and operating efficiency. 100-277V 50/60Hz, Triac dimming

Mounting Options

* Direct install in ceiling. IC rated

Compliance

cULus listed for Damp location , ETL RoHS compliant and LED modules comply with IESNA LM-79 and LM-80 standards.

Finish

Powder Coat finish to promote maximum adherence and finish hardness Fixtures come in standard White.

Warranty

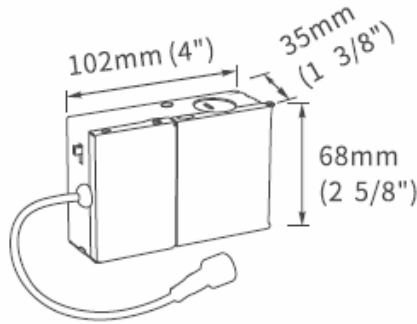
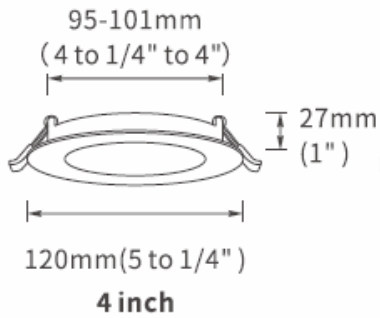
5-year limited warranty.

Optics

High transmittance light guide plate and edge lit SDM chips provide bright and uniform light distribution. Available in 3000K, 4000K, or 5000K LED color temperatures (CCT) Selectable, minimum 80 CRI

DIMENSION

SB-R4"-9W-CCT



Hole cut: Ø4.0" (100mm)

MODEL SELECTION:

Example: SB-R4"-9W-CCT

Product Series	Wattage	Voltage	Kelvin	CRI
*SB-R4" -9W-DT	Blank=9W	Blank=100-277V	*CCT=3000K/4000k/5000k	Blank = CRI 80 (Standard)

ACCESSORY ORDERING:

Item Accessory	PICTURE	MODEL NUMBER	DESCRIPTION
Option		SB-EBP/5W/B	Factory installed Remote Emergency Battery Pack 5W 90 minutes

LUMEN OUTPUT

GENERAL PERFORMANCE		
WATTAGE	KELVIN ± 10%	DELIVERED LUMEN ± 10%
9W	3000K	726
	4000K	730
	5000K	750

4": Individual Carton size: 0.86" x 0.53" x 0.19" 0.88IB

4": Outer carton size (50 pcs): 2" x 0.9" x 2.7" 48IB