

DESCRIPTION

Snowball HL07 Series LED Outdoor Low/Mid/High bay fixtures designed and manufactured of powder-coated Die-cast aluminum cooking design, Wet Location, various wattage range power of 100 watts to 200 watts and motion sensor control available great for applications such as Warehouse, Gymnasium, Manufacturing, parking lot, Schools, Garage, Refrigerated areas and Residential areas and many more other applications.



HL07 Series Low Profile Low/middle/High Bay 100W - 200W

- Efficiency: Up to 150 LPW
- CCT: 5000K
- Power factor > 0.95
- UL Wet Location
- CRI: >80
- Input Voltage: 120-277V
- Limited Warranty: 5 Years
- 1-10V dimming, Continuous
- Beam 120°
- Operating temperature: -22°F ~ 122°F
- Cable: 3 core, 18AWG (300mm)
- Wattage 100W,150W,200W

***MODEL SELECTION:**

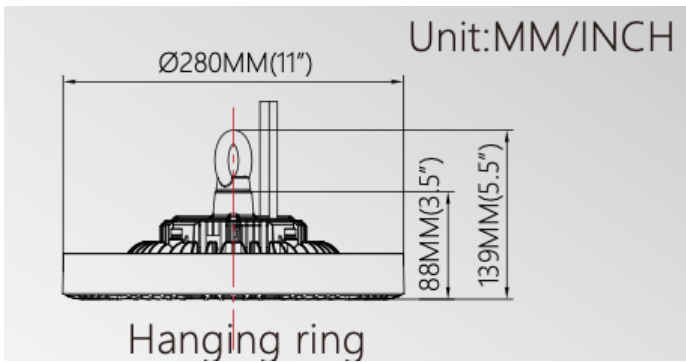
Example: SB-HL07-100WLD-50K

Products series	Wattage	Voltage	Option	Kelvin	Finish
*SB-HL07	*10W=100W 15,000 Lm	*L= AC120-277V	*D=1-10V dimming standard	*50K=5000K	*Blank=Black (standard)
	15W=150W 22,500 Lm				
	20W=200W 30,000 Lm				

PACKING INFORMATION:

Packing	Inner box	Carton	Inner box	Carton
Packing QTY	1pcs/CTN	5pcs/CTN	1pcs/CTN	5pcs/CTN
CTN SIZE	292x101x298 MM 11.4x4x11.7 INCH	549x308x320 MM 21.6x12.1x12.6 INCH	292x101x298 MM 11.4x4x11.7 INCH	549x308x320 MM 21.6x12.1x12.6 INCH
N.W.	2.3KG/5.1LB	11.5KG/25.3LB	2.5KG/5.5LB	12.5KG/27.6LB
G.W.	2.6KG/5.7LB	13.7KG/30.2LB	2.8KG/6.2LB	14.7KG/32.4LB

DIMENSIONS / WEIGHT:



WIRING DIAGRAM

Wiring Connection

Turn off the power, connect AC wire.

Dimmer connection (With dimmable driver.)

1. Compatible with 0-10V dimming.
2. Connect wires as below.

