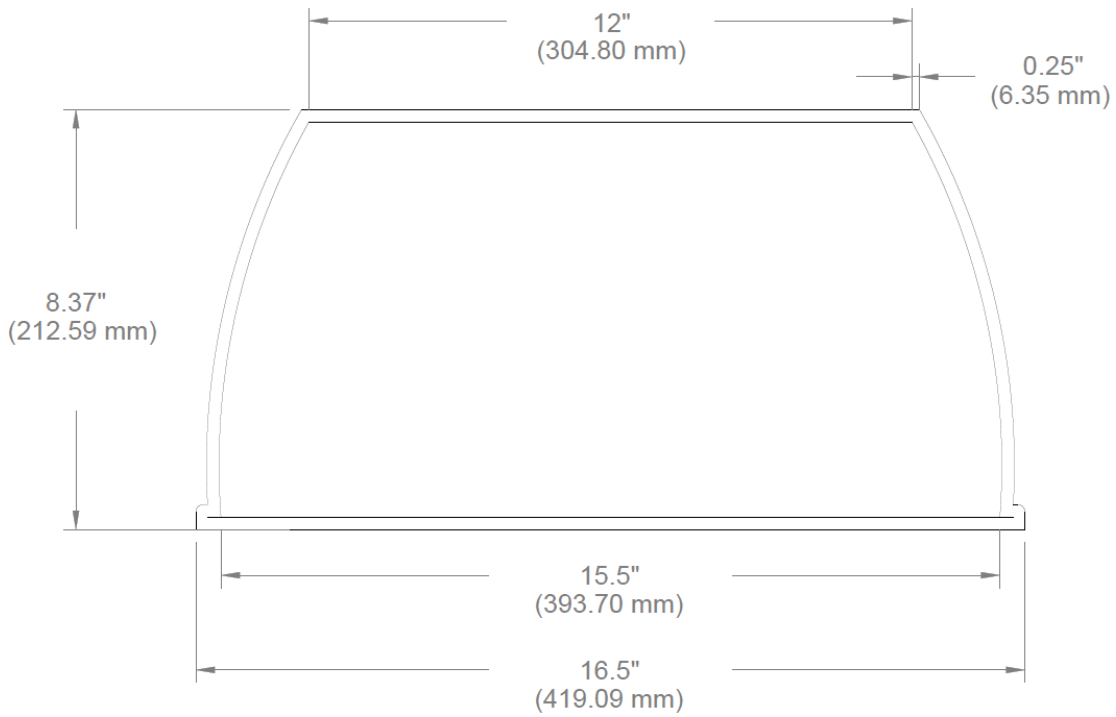


SB-HBV-SA-B: Prismatic cover with bottom cover for 240W

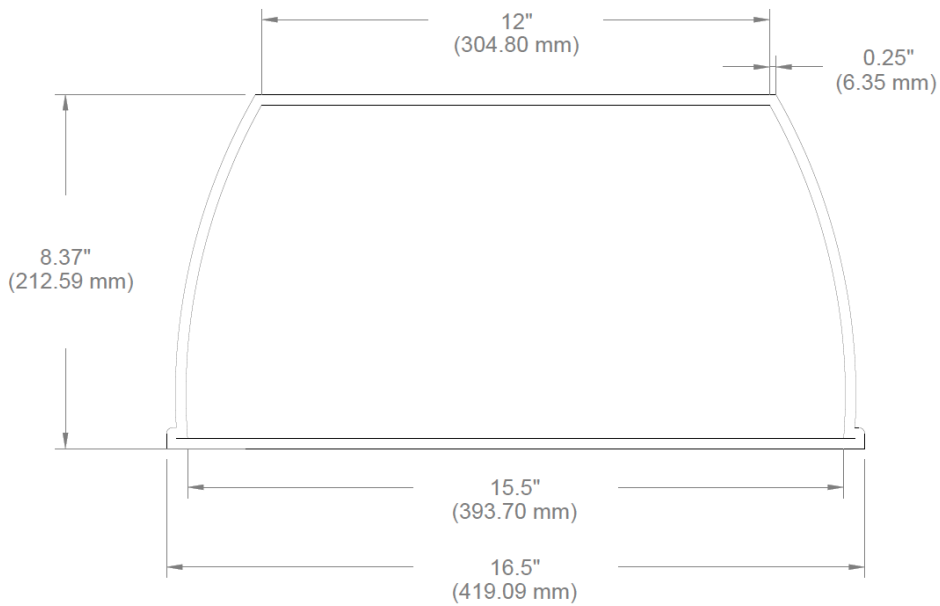
ACRYLIC REFLECTOR ACCESSORY





Weight: 2.6 lb

SB-HBV-SA-A: Prismatic cover with bottom cover for 100W-200W



Weight: 1.62 lb