


SB-H LED Flood Light

OVERVIEW:

- Efficiency: Up to 124 LPW
- Delivered Lumens: Up To 50,000 lumens
- Input Power: 100W, 150W, 300W, 500W
- CCT: 3000K, 4000K, and 5000K
- Power factor > 0.90
- UL/cUL, DLC, FCC, Lighting facts Wet Location Listed, IP66
- DLC listing color 100w, 150w, 200w, 300w (4000k, 4500k, 5000k, 5700k)

DESCRIPTION

The SB-H series LED Flood lighting with an aluminum body, respirator technology, copper heat pipes and excellent thermal management makes this fixture ideal for both indoor/outdoor harsh environmental applications, transform your current lighting system to a maintenance free, energy efficient, more affordable lighting system that produces better quality light and provides endless entertainment possibilities.

An adjustable bracket allows for 216 degrees of adjustment or use slip-fitter to match application. Once angle is achieved fixture is locked into position with locking bolts.

Different Beam angle options available of 25°, 60° to direct the light were required.

The SB-H LED series is designed for Warehouses, Industrial, manufacturing, gymnasium and a great replacement for HID fixtures in parks, sports park applications.

- CRI: Minimum 70
- Input Voltage: 100-277V
- Limited Warranty: 5 Years, 100,000-hour at 25°C
- 0-10V dimming
- Operating temperature: -40°C to 45°C, -40°F to 113°F
- Beam angle: 25° 60°
- Power factor > 0.90

SPECIFICATION FEATURES
Construction

Revolutionary vented thermal structure constructed of high-grade aluminum greatly improves heat dissipation and performance. Smart membranes in the fixtures vents prevent harmful dust and gases from entering the fixture, while allowing water and heat to escape.

The lens has a UV filter with strong anti-impact properties that provides excellent weather resistance and protects against yellowing.

Thermal Management

The SB-H series provides excellent thermal management using specially engineered perforated heat fins, Copper Heat Pipes and Respirator Technology. This enables the Luminaries to withstand higher ambient temperatures without degrading LED life.

Electrical

LED driver and related electrical components are hard wired and mounted to the housing for optimal heat sinking and operating efficiency. 120- 277V 50/60Hz, accommodate controls such as 0-10V dimming, emergency and motion sensor step dimming. Operating temperature range of -40°C to 45°C, -40°F to 113°F

Mounting Options

- * Comes standard with Adjustable Bracket.
- * Optional Slipfitter is available

Compliance

cULus listed for Wet location -40°C- 45°C. DLC, lighting facts, Fcc listed, RoHS compliant and LED modules comply with IESNA LM-79 and LM-80 standards.

Finish

With a minimum of 3-5 millimeter thickness, finish is oven-baked at 400 °F to promote maximum adherence and finish hardness. All finishes are available in standard black. Custom colors are available.

Warranty

5-year limited warranty.

Optics

Choice of 25°, 60° beam angles are available to provide flexibility in light distribution and are precisely designed to shape the light output, maximizing efficiency and application spacing.

Available in 3000K, 4000K, or 5000K LED color temperatures (CCT) minimum 70 CRI

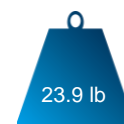
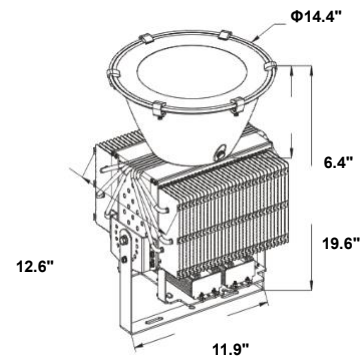
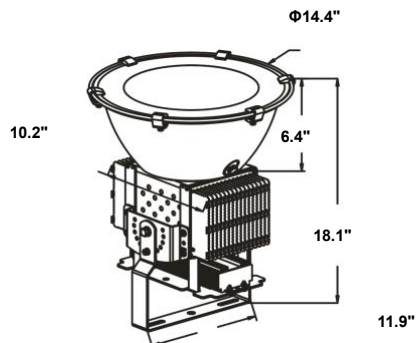
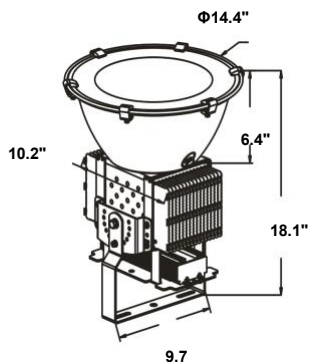
DIMENSION

SB-HB/ H

100W, 150W

300W

500W



MODEL SELECTION:

Example: SB-HB/100W/3D/CW

Products series	Wattage	Options	Kelvin	Finish
SB-HB/H	*100W=100w	*3D= 1-10V Dimming (standard)	WW=3000K	*Blank=Black(standard)
	150W=150w	Blank= None dimmable	NW=4000K	
	300W=300w		*CW=5000K(standard)	
	500W=500w			

LUMEN OUTPUT

GENERAL PERFORMANCE		
Wattage	KEVIN	DELIVERED LUMEN
100W	5000K	12411
150W	5000K	17000
300W	5000K	33000
500W	5000K	50000