

SB-G Series High Bay light Installation Instructions

General Safety Information

- To reduce the risk of death, personal injury or property damage from fire, electric shock, falling parts, cuts/abrasions, and other hazards read all warnings and instructions.
- Read all instructions and warnings before installing, servicing, or performing routine maintenance on this equipment.
- Installation and electrical connections should only be performed by a qualified electrician and should be done following local electrical codes.
- DO NOT INSTALL DAMAGED PRODUCT!

WARNING: Risk of Electrical shock

- Turn off electrical power at breaker box, Lock/out-Tag/out breaker supplying power to fixtures prior to any work being performed.
- Confirm voltage of supplying breaker is same as fixture, see label on fixture.
- Prior to working on fixture or wiring, test with multimeter to confirm power is turned off.
- Make all electrical and grounded connections in accordance with the National Electrical Code and any applicable local code requirements.

WARNING: General

- Ensure the luminaries is switched off & suitably cooled down before carrying out any maintenance work.
- MIN 90 °C SUPPLY CONDUCTORS
- SUITABLE FOR OPERATION IN AMBIENT NOT EXCEEDING 40 °C for 100W/150W
- SUITABLE FOR OPERATION IN AMBIENT NOT EXCEEDING 35 °C for 200W.
- SUITABLE FOR DAMP LOCATIONS
- All components in the luminaries shall not be replaced or serviced.
- THIS PRODUCT MUST BE INSTALLED IN ACCORDANCE WITH THE APPLICABLE INSTALLATIONS CODE BY A PERSON FAMILIAR WITH THE CONSTRUCTION AND OPERATION OF THE PRODUCT AND THE HAZARDS INVOLVED.
- CONSULT A QUALIFIED ELECTRICIAN TO ENSURE CORRECT BRANCH CIRCUIT CONDUCTOR.

CAUTION: Risk of Injury

- Make sure fixture is installed using proper hardware and secured tightly. Follow installation instructions. Do not alter fixture in anyway.
- Wear gloves and safety glasses at all times when removing luminaries from carton, installing, servicing or performing maintenance.
- Avoid direct eye exposure to the light source while on.

CAUTION: Risk of Fire

- Keep combustible and other materials away from fixture and wiring.

SB-G Series High Bay light Installation Instructions

Installation: Suspended

This fixture can be mounted suspended to desired height.

Read page one of this instruction guide before proceeding.

1. Install customer supplied mounting hardware such as chain, airline cable or hook. Make sure mounting hardware meets or exceeds requirements.
2. Using the metal ring on top of fixture, secure to customer provided mounting hardware. Confirm fixture is fully secure. To avoid damage, attach diffuser to fixture only after fixture is security mounted. **See figure 1.**
3. Make electrical connections to the fixture (Black/L-White/N-Green/Gnd) and dimming (Red/+pos-Black/-neg) lines if used. **See figure 2.**
4. Make sure all connections are correct and properly secured.
5. Once complete test lights operation, test any optional sensors for complete system test.



Figure 1.

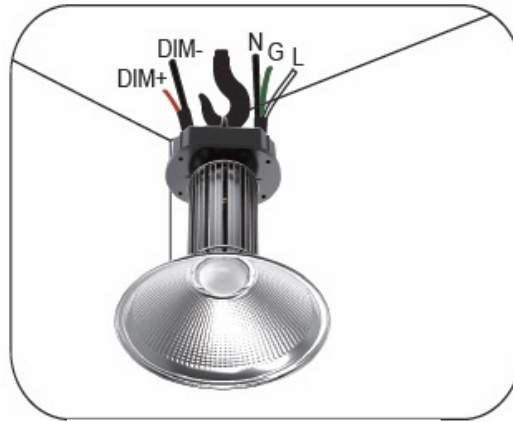


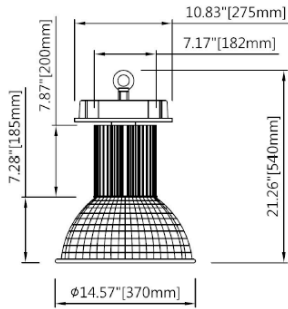
Figure 2.

SB-G Series High Bay light Installation Instructions

DIMENSIONS:

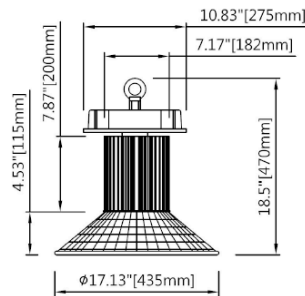
SB-HB/G+/100W

Aluminum Reflector: 14" 60°

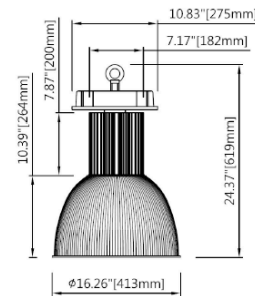


5.2 KG 11.5 lb

Aluminum Reflector: 17" 110°



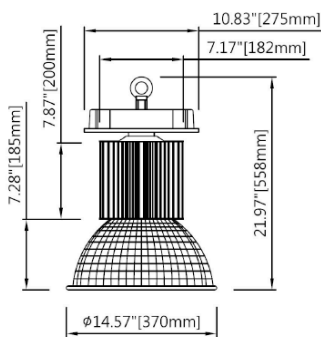
Acrylic Reflector: 16" 45°



DIMENSIONS: Aluminum Reflector

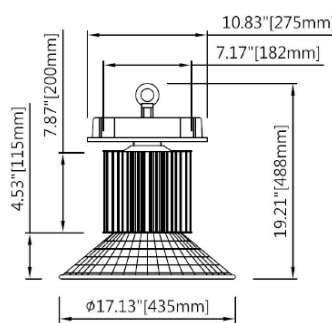
SB-HB/G+/150W

Aluminum Reflector: 14" 60°

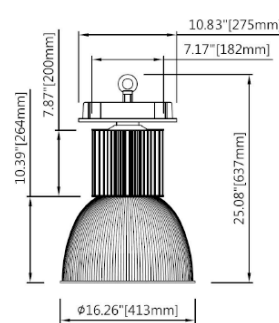


5.8 KG 12.8 lb

Aluminum Reflector: 17" 110°



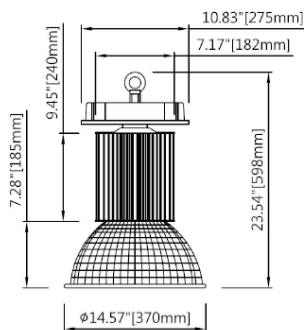
Acrylic Reflector: 16" 45°



DIMENSIONS: Aluminum reflector

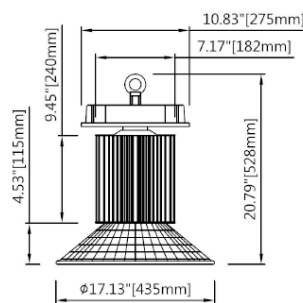
SB-HB/G+/200W

Aluminum: 14" 60°



6.7 KG 14.8 lb

Aluminum: 17" 110°



Acrylic: 16" 45°

