



SB-CP LED Canopy Light Series



OVERVIEW:

- Efficiency: Up to 110 LPW
- Delivered Lumens: Up To 9,200 lumens
- Input Power: 25W, 92W,
- CCT: 5000K
- Power factor > 0.90
- UL/cUL FCC Wet Location Listed, IP65
- DLC

DESCRIPTION

The SB-CP series LED canopy fixture with its shatter and UV resistant polycarbonate lens is constructed to meet the demands of harsh outdoor environmental applications. It combines LED performance using under driven chips and advanced LED drivers providing lighting that is both energy efficient and aesthetically pleasing.

Daylight harvesting, motion step dimming and PC activated are popular options for many businesses.

Utilizing a 0.16" thick high transmittance anti-impact/UV protected cover; the SB-CP series will look and perform great for years to come.

- CRI: Minimum 70
- Input Voltage: 100-277V or 200-480V
- Limited Warranty: 10 Years, 100,000-hour at 25°C
- 0-10V dimming, motion sensor and emergency available
- Operating temperature: -40°C to 45°C, -40°F to 113°F
- Beam angle: 120°

SPECIFICATION FEATURES

Construction

Constructed of high grade, heavy-duty die cast aluminum. Wet location, IP65 rating achieved utilizing outdoor rated gaskets and sealed driver compartment.

A UV and shatter resistant polycarbonate lens protect LED modules.

Thermal Management

The SB-CP series provides excellent thermal management using specially engineered die cast aluminum body/heat sink drawing heat away from critical components. This enables the Luminaries to withstand higher ambient temperatures without degrading LED life.

Electrical

LED driver and related electrical components are hard wired and mounted to the housing for optimal heat sinking and operating efficiency.

120- 277V or 200-480V 50/60Hz, 0-10V dimming driver is available to accommodate controls such as dimming and motion sensor step dimming. Emergency available. Operating temperature range of -40°C to 45°C, -40°F to 113°F

Mounting Options

Adjustable mounting tabs, or J-box

Compliance

cULus listed for damp location -20°C- 45°C. DLC, lighting facts, Fcc listed, RoHS compliant and LED modules comply with IESNA LM-79 and LM-80 standards.

Finish

With a minimum of 3-5 millimeter thickness. Finish is oven-baked at 400 °F to promote maximum protection against fade and wear. All finishes are available in standard Dark Bronze or custom colors.

Warranty

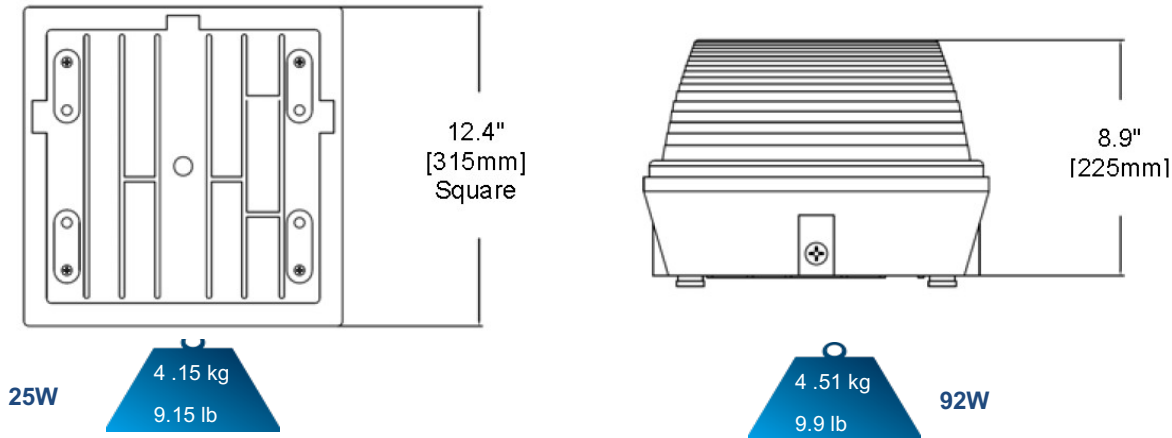
10-year limited warranty.

Optics

120° beam angle is perfect for uniformity.

Available in 3000K, 4000K, or 5000K LED color temperatures (CCT) minimum 70 CRI

DIMENSION



INSTALLATION OPTIONS: Standard fixture mounts to a flat surface using adjustable tabs or electrical j-box.

CONTROLS:

120-277VAC PHOTOCONTROL
 Universal Voltage photo controls.
 Dust-to-dawn

Motion/Daylight Sensor on/off
 Automatic switching based on motion and light level; the sensor supplies a simple energy-saving solution to use light only when and where you need it. It automatically switches on/off light based on motion and ambient light level

Operating voltage: 120-277Vac
 Mounting height: 50 feet Max.
 Detect ion area(R): 35 feet Max.
 The operating temperature of the sensor is -95°F- 160°F

Motion/Daylight Sensor step dimming
 1-10V interfaces.
 Programmable 3 step dimming where detection area, time delay, output level and daylight threshold can be precisely set via programming.

Operating voltage: 120-277Vac
 Mounting height: 50 feet Max.
 Detect ion area(R): 35 feet Max.
 The operating temperature of the sensor is -95°F- 160°F

*** MODEL SELECTION:**

Example: SB/CP/92W/CW

Products series	Voltage	Wattage	Options	Kelvin	Finish
SB/CP	*Blank =120-277(standard)	25W=25W	Blank=Non-dimming	*CW=5000K(standard)	*Blank= Dark Bronze(standard)
		*92W=92W			W= White
					B=Black
					S=Silver

ACCESSORY ORDERING:**SB-CP**

Item Accessory	MODEL NUMBER	DESCRIPTION
Option	SB-AMI	Internal Motion sensor & Daylight step dimming Sensor
	SB-EBP/4W	Factory installed Emergency Battery Pack 4W 90 minutes for 25W, canopy
	SB-EBP/8W	Factory installed Emergency Battery Pack 8W 90 minutes for 92w canopy

LUMEN OUTPUT

GENERAL PERFORMANCE		
Wattage	KEVIN	DELIVERED LUMEN
25W	5000K	2700
92W	5000K	9300