

# SPECIFICATION FOR APPROVAL


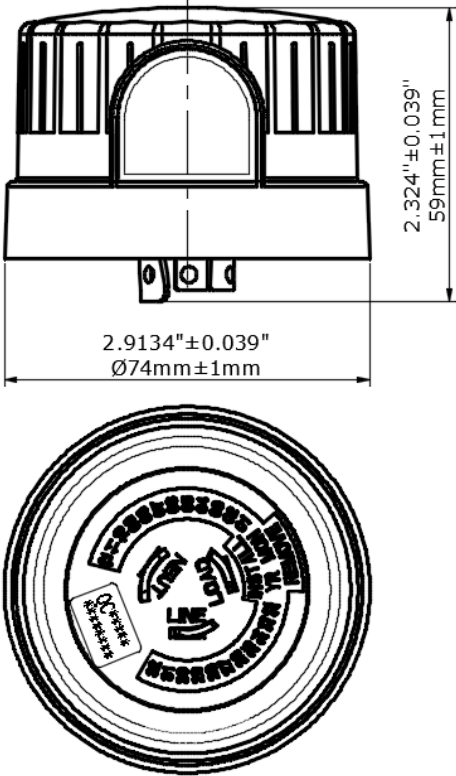
Product Name : **Photocontrols**

Model : **601.0109**

Customer Name:
Address:
Sample Date :
Customer Approval:

CONTENT			
1. Appearance and Dimensions			
2. Technical parameters			
3. Packaging requirements			
4. Wiring Diagram			
5. Quality Disclaimer			
Compile	Authorize	Version	Attachment No.
		A1	/

## 1. Appearance and Dimensions

Appearance	Dimensions
	

## 2. Technical Parameters

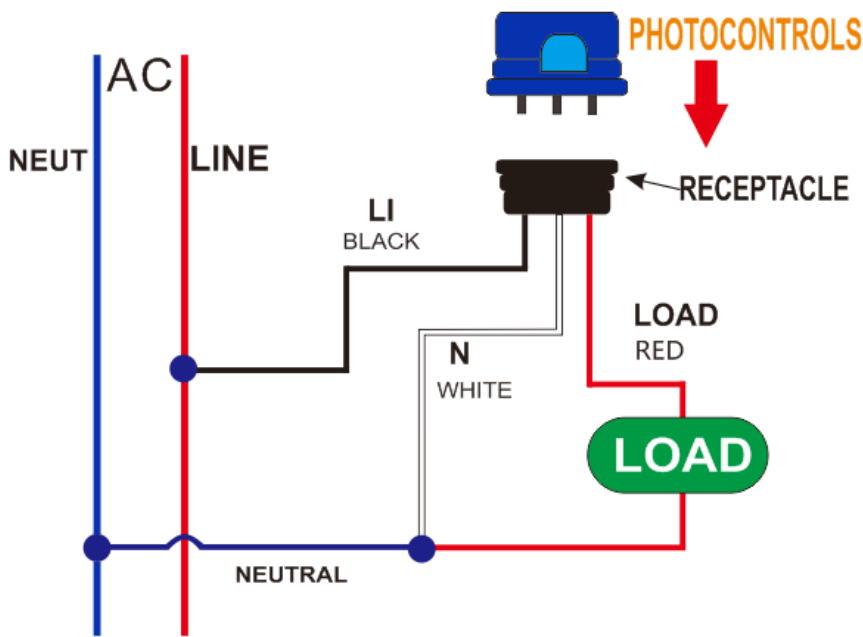
TECHNICAL DATA	OFFERED
Reference/ Applicable Standards	ANSI C136.10, UL773 and NEMA
<b>Technical Parameters</b>	
Voltage Rating	120-277VAC (Applicable to 105-305VAC)
Rated Frequency	50/60 Hz
Load Rated	1000 W, Tungsten 1800 VA, Standard Ballast (HID) 5 A, Electronic Ballast (LED)
Relay	15A
Power Consumption	≤1 W
Electrical life	>5000 cycles
Operating Temperature	-40°C to +70°C
Dielectric Resistance	2000V/1 Minute
Moisture Level	95% Relative Humidity @ 40 °C
MOV Joule (Energy) Rating, joules	380J (Peak Current 8/20us I <sub>max</sub> ×1=10000A)
IP Rating	IPX6
Failure Mode	<b>Fail-OFF</b>
Operating light levels (Lux)	Turn-On [10~16 Lux] , Turn-Off <65 Lux
Turn-On/Turn-Off Ratio	1 : 1.5~3
Time Delay (off only)	2-10 Seconds

Cover Material	Blue, UV-stabilized PC
Base Material	PBT
Connection:	3 pole locking type with brass contacts
Gasket	Silicone rubber
Light Sensor	Silicon Photosensor
Photocontrol minimum skirt diameter	74 mm

### 3. Packaging Requirements

Item	Packaging	Dimension	Quantity
Inner box	/	7.3×7.3×6 cm	1PC
Master carton	/	38.5×31×32 cm	100PCS

### 4. Wiring Diagram



### 5. Quality Disclaimer

The quality control objective of defective rate for this product is  $\leq 0.2\%$  (two in a thousand). CQC should be exempt from responsibility for defects within this quality objective range.