

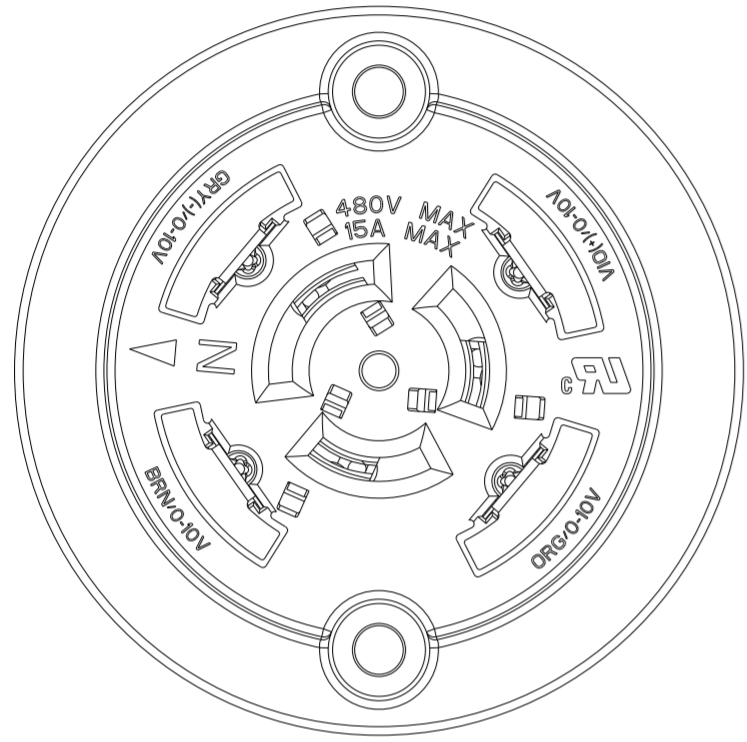
THIS DRAWING IS UNPUBLISHED. RELEASED FOR PUBLICATION 20  
 © COPYRIGHT 20 BY - ALL RIGHTS RESERVED.

NOTES:

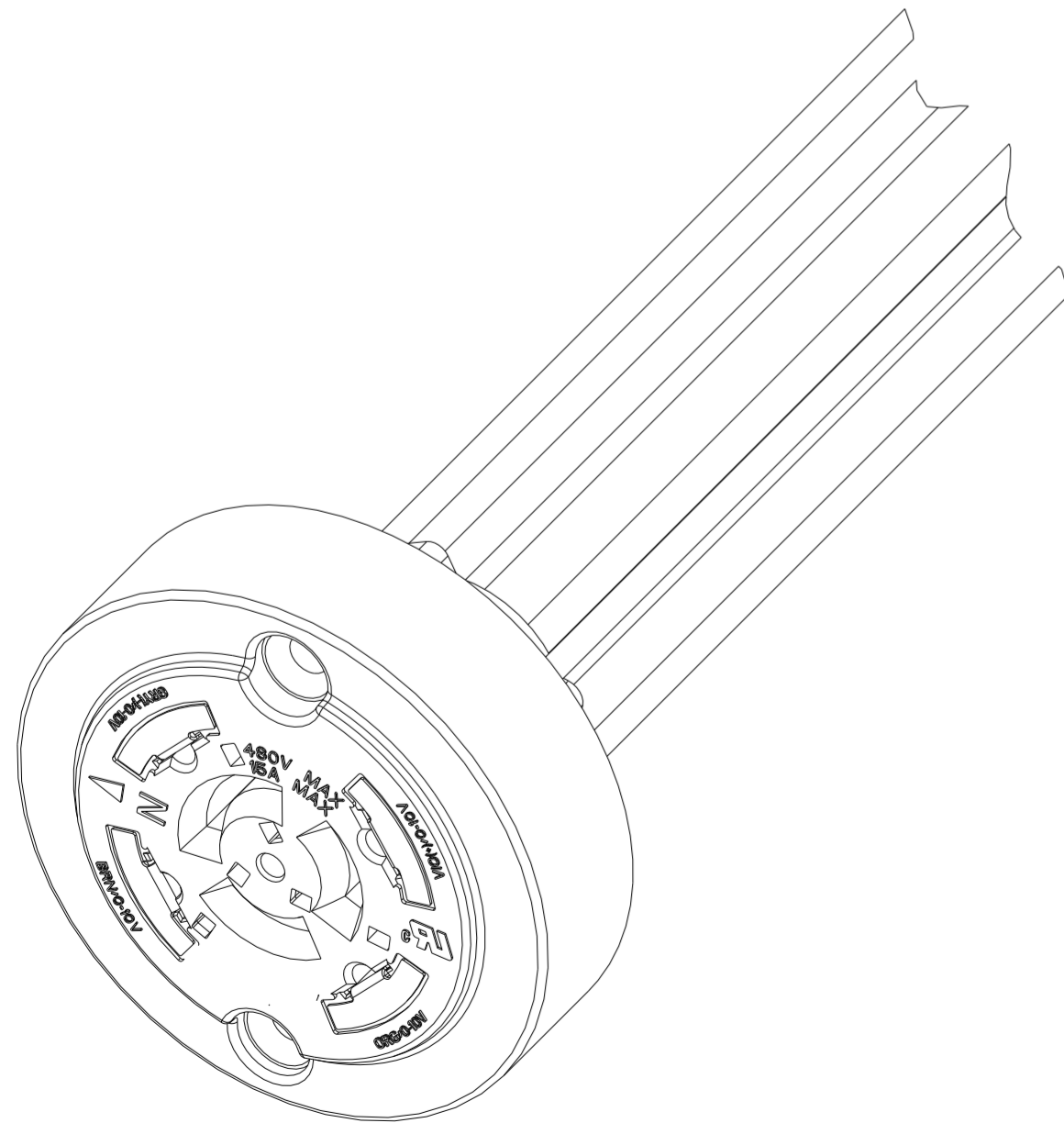
1. MATERIALS:  
 HOUSING: GLASS-FILLED THERMOPLASTIC, UL 94V-0 RATED DIMMING CONTACTS (2 OR 4) AND LINE VOLTAGE CONTACTS (3): COPPER ALLOY
2. FINISH:  
 DIMMING CONTACTS (2 OR 4): NICKEL UNDERPLATE ENTIRE CONTACT 0.127 μm MIN THICK. GOLD PLATE CONTACT PAD AREA (MATING FACE SIDE ONLY) 0.76 μm MIN THICK. MATTE TIN PLATE TAB ON BOTH SIDES 0.30 μm MIN THICK. LINE VOLTAGE CONTACTS (3): TIN PLATE.
3. LINE VOLTAGE CONDUCTORS (3):  
 14 AWG, 600V, 150°C RATED, COPPER 41/30 STRANDED PEP UL STYLE AWM 3321.
4. MATING INTERFACE PER ANSI C136.41-2013.
5. OPTIONAL DIMMING CONTACTS (2) SUPPLIED.
6. DIMMING CONDUCTORS (2 OR 4):  
 18 AWG, 600V, 150°C RATED, 16/30 STRANDED, PEP UL STYLE AWM 3321.
7. LINE VOLTAGE CONDUCTORS (3):  
 14 AWG, 600V, 105°C RATED, COPPER 41/30 STRANDED. PEP UL STYLE AWM 1015.

LOC		DIST		REVISIONS			
P	LTR	DESCRIPTION	DATE	DWN	APVD		
	A20	REVISED PER ECR-20-016246	07DEC2020	MM	JL		
	A21	REVISED PER ECR-21-110497	17AUG2021	JL	MM		
	B	REVISED PER ECR-21-118984	11NOV2021	SD	MM		
	B1	REVISED PER ECR-22-127557	24JAN2022	SD	MM		

- 8. DIMMING CONDUCTORS (2 OR 4):  
 18 AWG, 600V, 105°C RATED, COPPER 16/30 STRANDED. PEP UL STYLE AWM 1015.
- 9. PRELIMINARY.
- 10. FOP PAPT NUMBER 5-2213362-4 ONLY, STPIP AND REMOVE INSULATION AS SHOWN. LEAD WIPES TO BE SOLDER DIPPED.
- 11. MUST BE USED WITH EITHER GASKET P/N 2213469-1 OR P/N 2324246-1 (SOLD SEPARATELY).



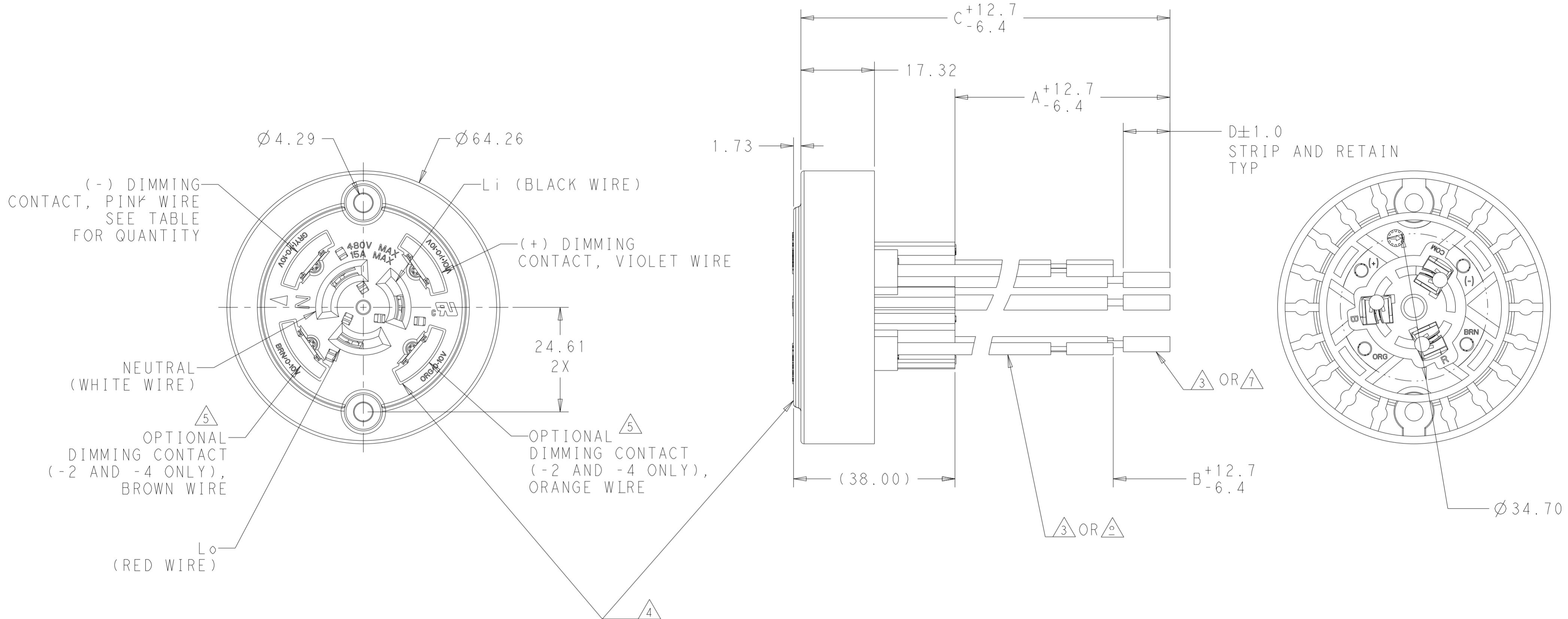
SEE SHEET 2 FOR WIRING COLOR CODE



12.0	203.0	153.0	153.0	7 AND 3	4 5	9-2213362-4
12.7	1036.3	1000	926.5	7 AND 3	4 5	8-2213362-4 9
12.7	266.3	230.0	216.5	7 AND 3	4 5	7-2213362-4
12.7	236.3	200.0	-	7	-	6-2213362-4 9
12.7	341.1	304.8	-	3	-	6-2213362-2
12.7	341.1	304.8	-	7	-	6-2213362-1
15.88	264.9	222.6	-	3	-	5-2213362-9
BLACK WIRE: 15.28 WHITE WIRE: 15.88 RED WIRE: 6.35	792.3	762.0	-	3	-	5-2213362-8
9.0	341.1	304.8	291.3	7 AND 3	4 5	5-2213362-4 10 9
9.0	211.3	175.0	175.0	7 AND 3	4 5	4-2213362-6
9.0	341.1	304.8	291.3	7 AND 3	4	4-2213362-5
12.7	950.7	914.4	914.4	7 AND 3	4 5	4-2213362-4 9
9.0	73.0	35.0	35.0	7 AND 3	4 5	3-2213362-4 9
12.7	1265.1	1222.8	1215.3	3 AND 6	2	3-2213362-1 9
12.7	736.3	700.0	626.5	7 AND 3	4 5	2-2213362-4
12.7	696.3	660.0	646.5	3 AND 6	4 5	2-2213362-2 9
12.7	696.3	660.0	646.5	3 AND 6	2	2-2213362-1
12.7	536.3	500.0	426.5	7 AND 3	4 5	1-2213362-4
12.7	536.3	500.0	426.5	7 AND 3	2	1-2213362-3 9
12.7	1223.3	1346.0	1332.5	3 AND 6	4 5	1-2213362-2
12.7	536.3	500.0	426.5	3 AND 6	2	1-2213362-1 9
12.7	341.1	304.8	291.3	7 AND 3	4 5	2213362-4
12.7	341.1	304.8	291.3	7 AND 3	2	2213362-3
12.7	341.1	304.8	291.3	3 AND 6	4 5	2213362-2
12.7	341.1	304.8	291.3	3 AND 6	2	2213362-1
D	C	A	B	WIRE STYLE	QUANTITY OF DIMMING CONTACTS	PART NO.
STRIP LENGTH	OVERALL LENGTH	WIRE LENGTH				

THIS DRAWING IS UNPUBLISHED. RELEASED FOR PUBLICATION 20  
 © COPYRIGHT 20 BY - ALL RIGHTS RESERVED.

LOC		DIST		REVISIONS			
P	LTR	DESCRIPTION	DATE	DWN	APVD		
-	-	SEE SHEET 1	-	-	-		



**5-2213362-4 ONLY**

