

PROJECT NAME: \_\_\_\_\_ CAT. #: \_\_\_\_\_  
 NOTES: \_\_\_\_\_ FIXTURE SCHEDULE: \_\_\_\_\_

# Plug & Play Network BLE Nodes & Sensors



ANT-5-4T-BLE

## Sharkward Overview

The Sharkward Bluetooth Lighting Control provides automated individual and group control of light fixtures using on sensors and Bluetooth sigmesh technology .  
 The ANT-5-4T-BLE mounted in an Commercial lighting fixture and provides multi-level control solution based on motion and or daylight harvesting contribution.

## Applications:

- Car Parking
- Hospitals
- Schools
- Warehouses
- Industrial

## Features

- Lighting controls meet design lights consortium (DLC) networked lighting control system technical requirements(Version NLC5 June 23, 2020).
- Quicky connect and adjust different sensor angle.
- Easy commissioning with tuya/sharkward App (Available in IOS and Android).
- Bluetooth network with SaaS working by computer
- Individual addressability and/or grouping.
- Time clock scheduling for individual lights, groups or scenes.
- Multi-level dimming: manual ON/OFF automatic ON/OFF , and automatic partial ON/OFF ,daylight harvesting control capability.
- 5 Year Warranty

## Microwave Sensor Features

DAYLIGHT HARVESTING	ON/OFF
MOTION SENSING	ON/OFF
FIRST TIME DELAY	1-59 minutes/infinite
SECOND TIME DELAY	0-59 minutes/infinite
DIM LEVEL	0-100%
MOUNTING HEIGHT	13-40ft
DETECTION RANGE	Up to 52ft diameter
DETECTION HORIZONTAL PATTERN	360°
DETECTION VERTICAL PATTERN	90°

## Ordering Information

MODEL NUMBER	DESCRIPTION
ANT-5-4T-BLE	NETWORK NODE PLUG & PLAY, WHITE



5-year standard warranty (further details available at [www.sharkward.com](http://www.sharkward.com)) Product may be eligible for a warranty extension to 10 years, for an additional fee. Contact sharkward for details.

PROJECT NAME: \_\_\_\_\_ CAT. #: \_\_\_\_\_  
 NOTES: \_\_\_\_\_ FIXTURE SCHEDULE: \_\_\_\_\_

# Round Network BLE Nodes & Sensors

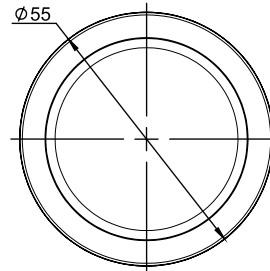
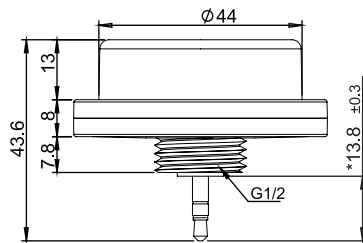
## Specifications:

	ANT-5-4T-BLE
NETWORK BLE SIGMESH	Yes
DAYLIGHT HARVESTING	Yes
MICROWAVE MOTION SENSOR	Yes
DETECTION MODE	Occupancy/Vancancy/Bi-level in 1 Unit
OPERATING VOLTAGE	12-24V DC
OPERATING CURRENT	> 50mA
SINKING CURRENT	max. 25mA
CONTROL OUTPUT	0-10V
RADIO FREQUENCY	2.4GHz ± 75MHz
WIRELESS STANDARD	BLE 4.2 MESH IEEE 802.15.1
PROGRAMMING	Tuya/sharkward App mobile app(iOS and android) or SaaS
CYBERSECURITY	UL1376
ENCRYPTION	AES 128-bit
MESH RANGE	100ft node-to-node and 50ft node-to-device (Commissioning)
SAFETY	cULus Listed
FCC	FCC ID:2AVMOANT-5-X
OPERATING TEMPERATURE	-40°F ~ +158°F (-40°C ~ +70°C)
IP RATING	IP65
COLOR	White

\*Must be paired with a Network Wall Switch

## Product Dimensions

### ANT-5-4T-BLE



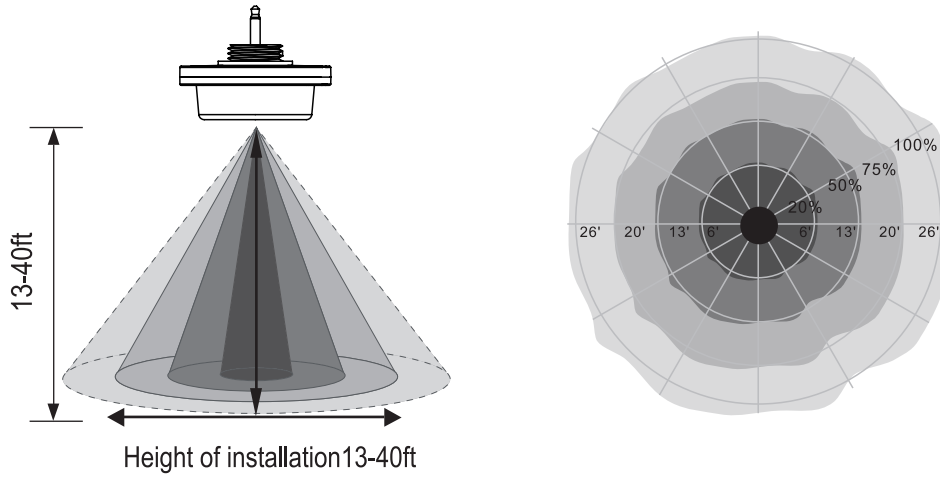
5-year standard warranty (further details available at [www.sharkward.com](http://www.sharkward.com)) Product may be eligible for a warranty extension to 10 years, for an additional fee. Contact sharkward for details.

PROJECT NAME: \_\_\_\_\_ CAT. #: \_\_\_\_\_  
 NOTES: \_\_\_\_\_ FIXTURE SCHEDULE: \_\_\_\_\_

# Round Network BLE Nodes & Sensors

## Detection Coverage

ANT-5-4T-BLE



## Commissioning

Tuya/Sharkward mobile App makes it easy to pair devices, create groups, set scenes/schedules, customize dimming levels, and adjust high trim based on application needs.



5-year standard warranty (further details available at [www.sharkward.com](http://www.sharkward.com)) Product may be eligible for a warranty extension to 10 years, for an additional fee. Contact sharkward for details.