



**Cable Suspended Mounting
for 2x2 / 2X4 Panel Light**

Installation Instruction

- Cable Suspended Mounting

Figure 1

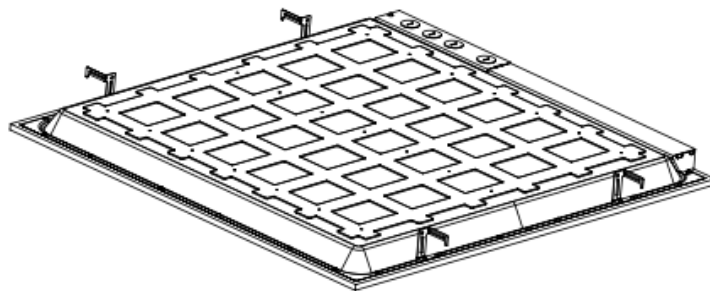
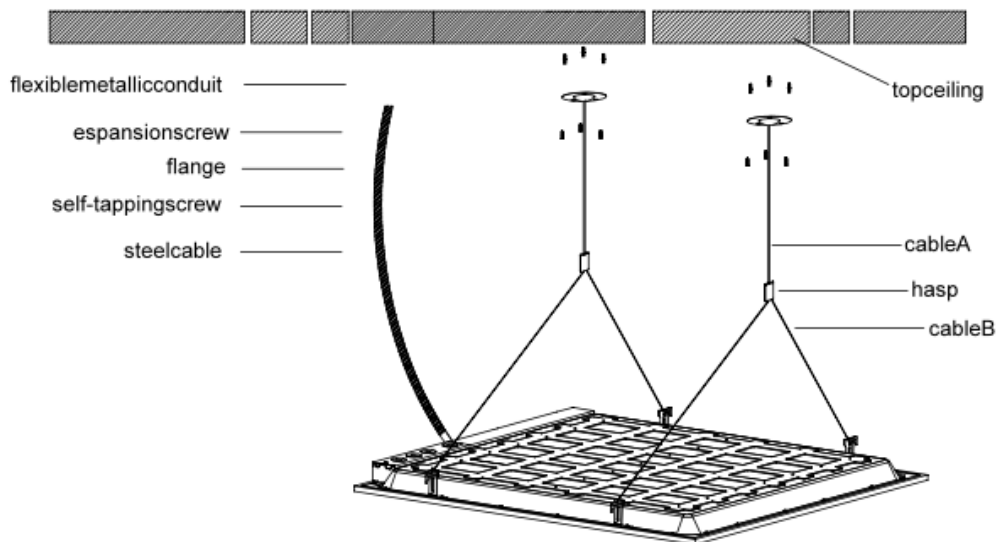
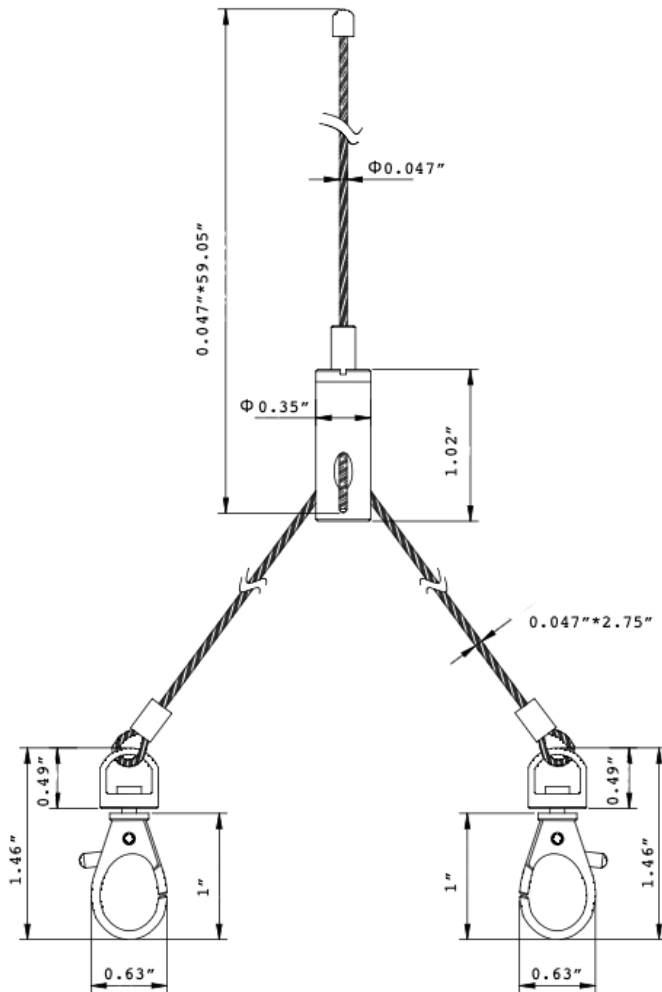


Figure 2



Installation Steps:

- Step 1: Replace the exiting earth quake tabs with the provided brackets which are used for fixing adjustable cables.
- Step 2: Pull the end cap of cable A through the provided flange and make sure the end cap positioned in the flange.
Fix the flanges onto the ceiling by the self-tapping screws.
- Step 3: Insert the end of cable A into the hasp attached on the cable B. then adjust the cable A to be desired height and adjust the cable B to the desired angles.
- Step 4: Hook the luminaire up to the hooks attached to the other end of cable B and make a final adjustments.
- Step 5: Connect LED driver to AC mains power.





**Cable Suspended Mounting
for 1x4 Panel Light**

Installation Instruction

- Cable Suspended Mounting

Figure 1

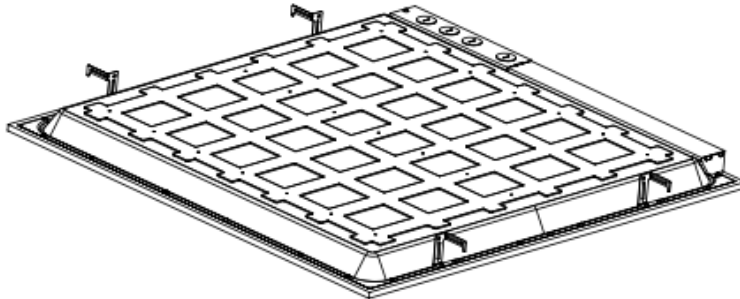
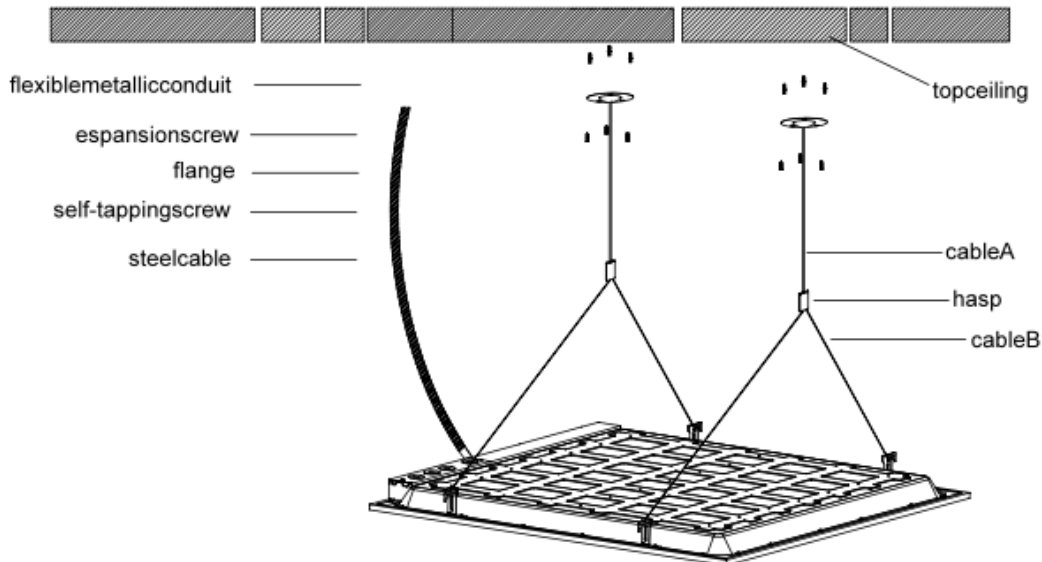


Figure 2



Installation Steps:

- Step 1: Replace the exiting earth quake tabs with the provided brackets which are used for fixing adjustable cables.
- Step 2: Pull the end cap of cable A through the provided flange and make sure the end cap positioned in the flange.
Fix the flanges onto the ceiling by the self-tapping screws.
- Step 3: Insert the end of cable A into the hasp attached on the cable B. then adjust the cable A to be desired height and adjust the cable B to the desired angles.
- Step 4: Hook the luminaire up to the hooks attached to the other end of cable B and make a final adjustments.
- Step 5: Connect LED driver to AC mains power.

